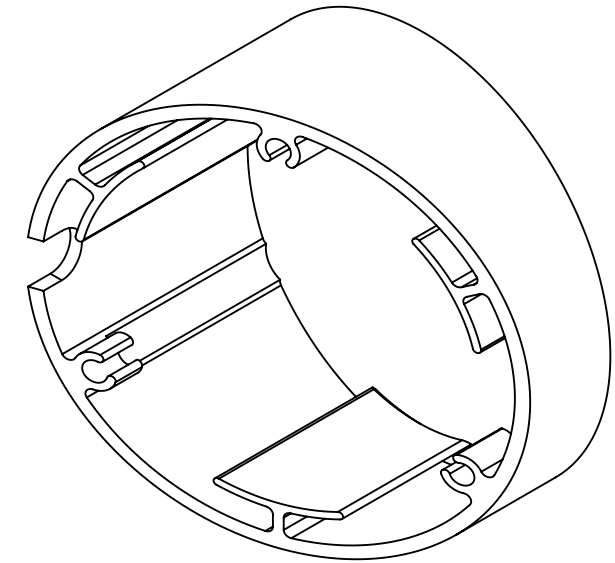
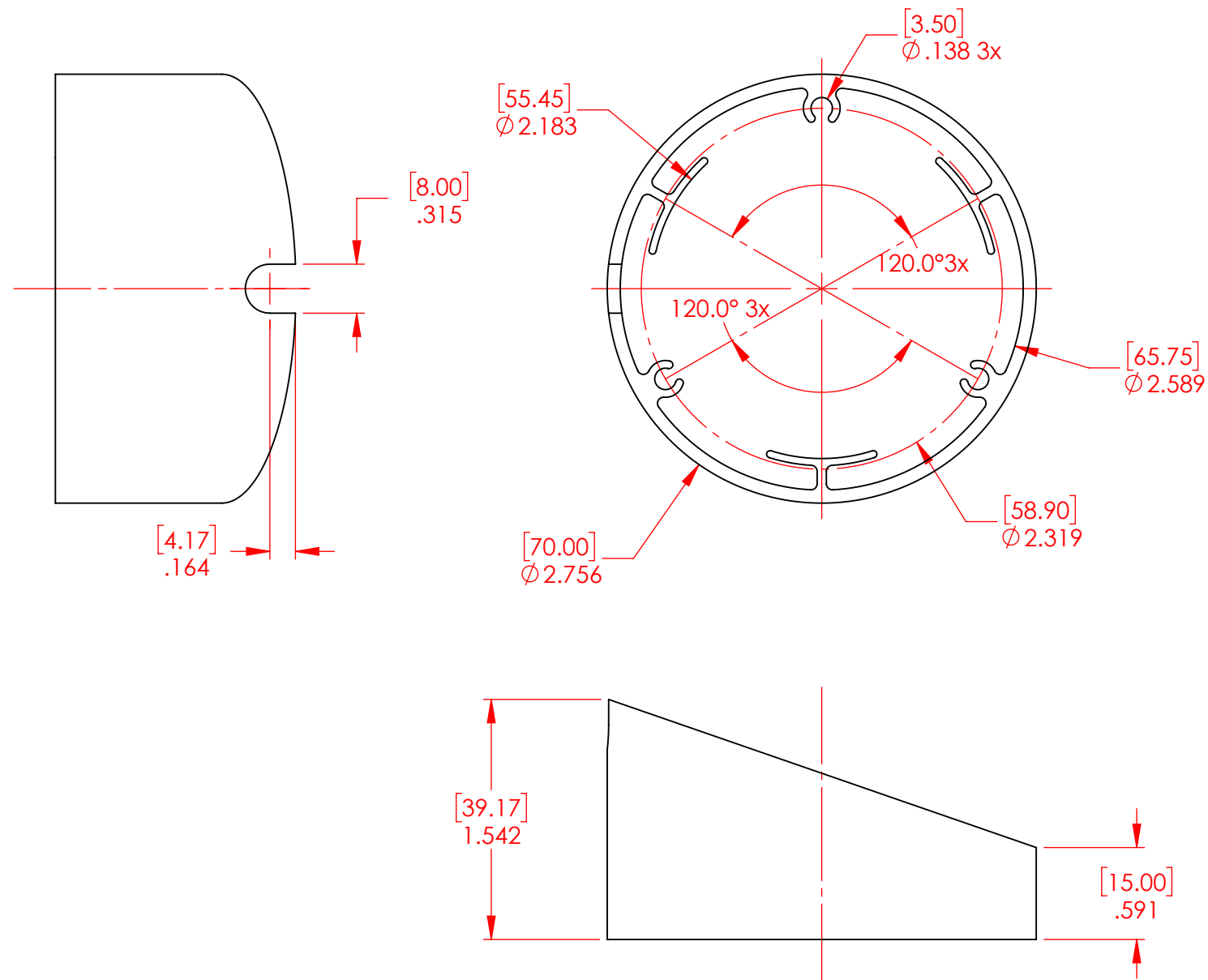


REVISIONS				
REV	DESCRIPTION	DATE	BY	APPROVED
01	ISSUE	25/04/2017	P.M.	



[DIMENSION MM]
DIMENSION INCH

PROPRIETARY AND CONFIDENTIAL
THE INFORMATION CONTAINED IN THIS DRAWING IS THE SOLE PROPERTY OF LUMINERGY. ANY REPRODUCTION IN PART OR AS A WHOLE WITHOUT THE WRITTEN PERMISSION OF LUMINERGY IS PROHIBITED.

TOLERANCES UNLESS OTHERWISE SPECIFIED
.XXXX ± .0002"
.XXX ± .005"
.XX ± .015"
RADIUS ± .005"
FRACT. ± 1/32"
ANGULAR ± 1/2"



6068, Métropolitain Est
Montreal, QC, CANADA, H1S 1A9
TEL : 1-888-653-3533 TEL : 514-448-1574
FAX : 1-514-903-0649

PROJET COMPOSANTE RICHELIEU			
DESCRIPTION LED INVOKE TRIM RING ROUND SLOPE ABN 15514170			
DWG. NO. 250112-00-01-r01	DRAWN P. MARQUIS	DATE 25/04/2017	B
SCALE 1:1	SHEET 1 OF 1	APPROVED	
CADFILE: 250112-00-01-r01 LED INVOKE TRIM RING ROUND SLOPE ABN 15514170			