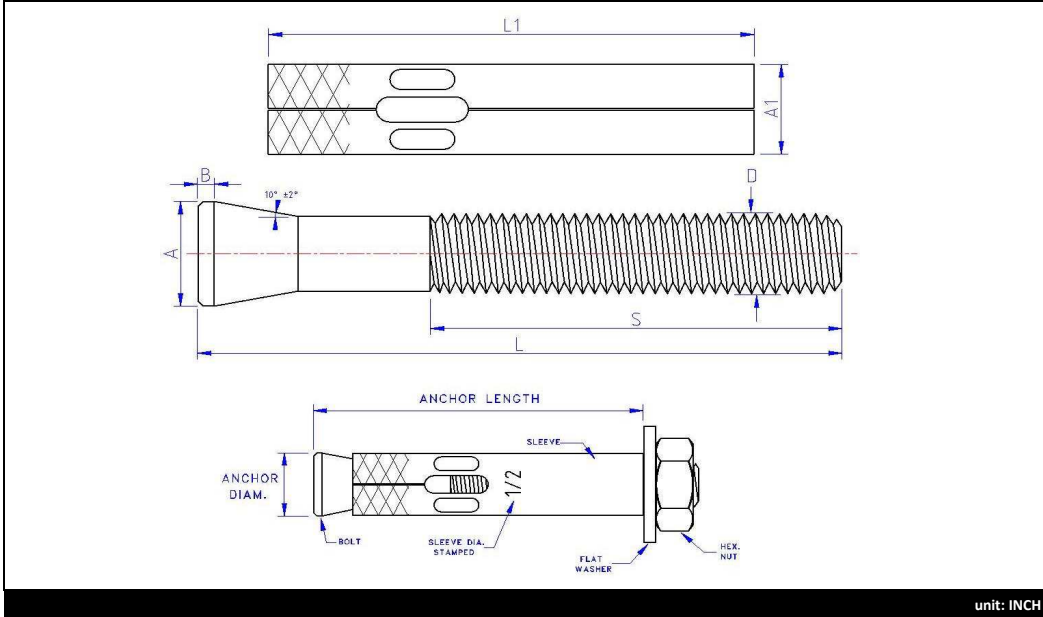




| | |
|-------|--------------|
| Brand | Root |
| | SA... |



| ANCHOR SIZE | | A BOLT DIAM. | B END LENGTH | D THREAD UNC Class 2A | L STUD LENGTH | S MIN. THREAD LENGTH |
|--------------|------|--------------------|--------------------|-----------------------------|---------------------|----------------------------|
| 5/16 x 1-1/2 | Min. | 0.305 | Ref. | 1/4-20 | Ref. | 0.75 |
| | Max. | 0.315 | 0.090 | | 1.812 | |
| 5/16 x 2-1/2 | Min. | 0.305 | Ref. | 1/4-20 | Ref. | 1.25 |
| | Max. | 0.315 | 0.090 | | 2.812 | |
| 3/8 x 1-7/8 | Min. | 0.362 | Ref. | 5/16-18 | Ref. | 1 |
| | Max. | 0.378 | 0.095 | | 2.25 | |
| 3/8 x 3 | Min. | 0.362 | Ref. | 5/16-18 | Ref. | 1.5 |
| | Max. | 0.378 | 0.095 | | 3.375 | |
| 3/8 x 4 | Min. | 0.362 | Ref. | 5/16-18 | Ref. | 2 |
| | Max. | 0.378 | 0.095 | | 4.375 | |
| 1/2 x 2-1/4 | Min. | 0.488 | Ref. | 3/8-16 | Ref. | 1.25 |
| | Max. | 0.504 | 0.100 | | 2.687 | |
| 1/2 x 3 | Min. | 0.488 | Ref. | 3/8-16 | Ref. | 1.5 |
| | Max. | 0.504 | 0.100 | | 3.437 | |
| 1/2 x 4 | Min. | 0.488 | Ref. | 3/8-16 | Ref. | 2 |
| | Max. | 0.504 | 0.100 | | 4.437 | |
| 1/2 x 6 | Min. | 0.488 | Ref. | 3/8-16 | Ref. | 3 |
| | Max. | 0.504 | 0.100 | | 6.437 | |
| 5/8 x 2-1/4 | Min. | 0.614 | Ref. | 1/2-13 | Ref. | 1 |
| | Max. | 0.630 | 0.130 | | 2.75 | |
| 5/8 x 4-1/4 | Min. | 0.614 | Ref. | 1/2-13 | Ref. | 2 |
| | Max. | 0.630 | 0.130 | | 4.75 | |
| 5/8 x 6 | Min. | 0.614 | Ref. | 1/2-13 | Ref. | 3 |
| | Max. | 0.630 | 0.130 | | 6.5 | |

| SLEEVE | A1 SLEEVE DIAM. | L1 SLEEVE LENGTH |
|--------|-----------------------|------------------------|
| | 0.312 | Ref. |
| | | 1.25 |
| | 0.375 | Ref. |
| | | 1.625 |
| | 0.375 | Ref. |
| | | 2.75 |
| | 0.500 | Ref. |
| | | 1.875 |
| | 0.500 | Ref. |
| | | 2.625 |
| | 0.500 | Ref. |
| | | 3.625 |
| | 0.625 | Ref. |
| | | 5.625 |
| | 0.625 | Ref. |
| | | 1.875 |
| | 0.625 | Ref. |
| | | 3.875 |
| | 0.625 | Ref. |
| | | 5.625 |

Sleeve Anchor, Zinc Plated
Assembled with one **USS Flat Washer** and one **Hex Nut**

Root = Sleeve Anchor

Bulk Label Description:

English: SLEEVE ANCHOR, ZINC

French: ANCRAGE À DOUILLE, ZINC

Spanish: ANCLAJE DE EXPANSIÓN, ZINC

Date : 17 janvier 2019

Done by : **P.B.**