



## Richelieu is proud to introduce the new M400 electronic lock: the new solution for multiple applications

The electronic locks is a perfect solutions for applications where security and convenience are key!

It can be stand alone or included in a master key system

Banks, jewelery stores, offices makers, dental, locker rooms, school boards and medical offices are perfect application areas.

Simple to install, simple to program, this is the ultimate solution in access organisation

Code	Description	Finish
<b>400890</b>	REMOTE CONTROL ELECT.LOCK	Black
<b>400830</b>	REMOTE CONTROL ELECT.LOCK	White
<b>4015400</b>	ELECTRONIC LOCK M400	Black
<b>4001590</b>	EMERGENCY POWER PACK/M400	Black



### Product information

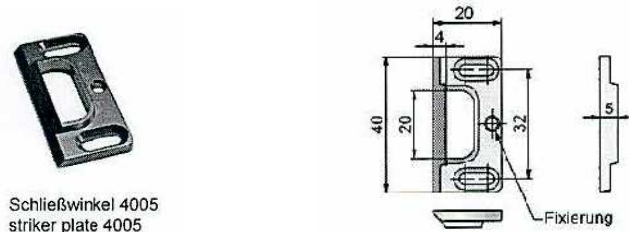
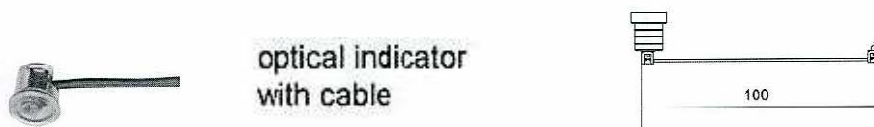
- ✓ Master key can close a multitude of drawers or doors in one click.
- ✓ Optical signal for opening and closing (green/red light inserted in the front of the door)
- ✓ No more physical keys to manage
- ✓ No re-keying
- ✓ More security: no cylinder
- ✓ Canadian and US license (RF emission)
- ✓ Each lock accepts 20 remote control
- ✓ Unlimited levels in the key hierachy structure
- ✓ Works with AA batteries
- ✓ Warning signal 40 to 60 cycles before the battery runs out (red permanent signal)
- ✓ Easy to install



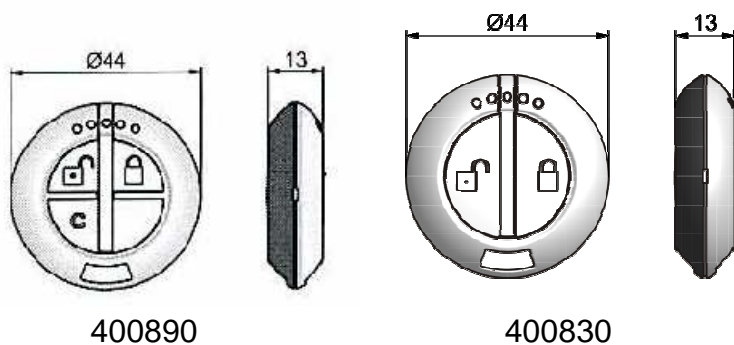
### Complementary informations

- ✓ Lock comes with optical signal + striker plate in one box
- ✓ 2 choices of remote control available. Sold separately
- ✓ Emergency opening power pack available
- ✓ All products are sold by the unit

### Locks components



### Remote control



### Emergency power pack for M400

