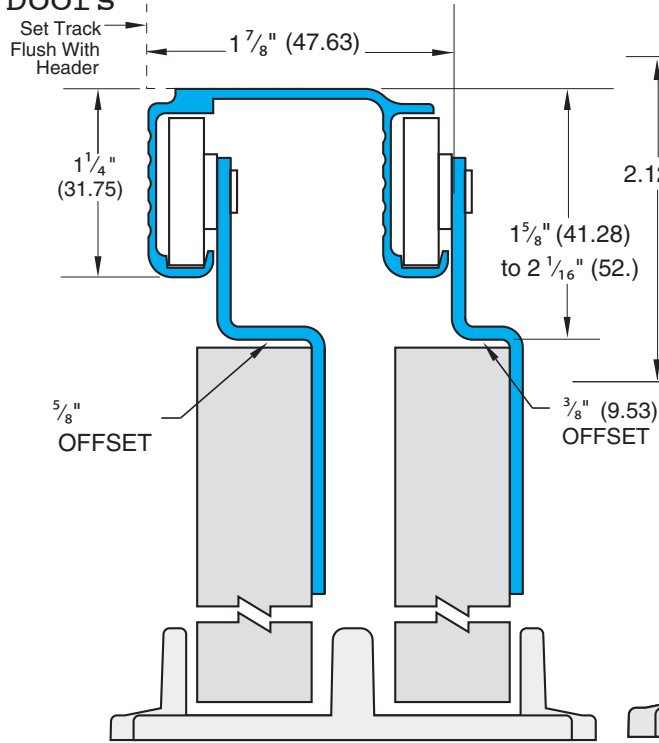


C-2025 Detail: shown with $\frac{3}{4}$ "
Doors



C-2035 Detail: shown with $1\frac{3}{8}$ "
Doors

