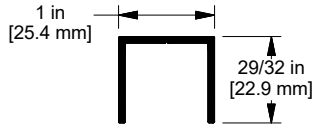


C-913/C-913-2 SERIES GUIDE SYSTEMS

INSTRUCTION SHEET

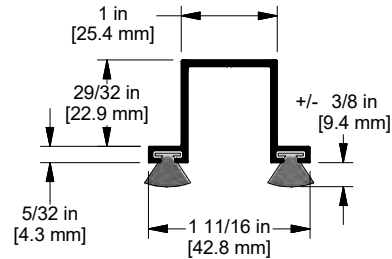
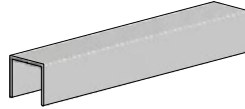


AVAILABLE PARTS FOR C-913/C-913-2 GUIDE SYSTEMS



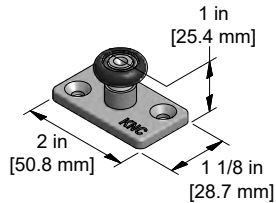
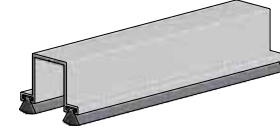
C-914 GUIDE CHANNEL X LENGTH

(FOR GUIDE CHANNEL RECESSED INTO BOTTOM OF DOOR, LENGTH = DOOR WIDTH, EXAMPLE: 36" [914MM] DOOR = 36" [914MM] GUIDE CHANNEL)
 (FOR GUIDE CHANNEL MOUNTED IN FLOOR, LENGTH = OPENING WIDTH + POCKET IF APPLICABLE, EXAMPLE: TWO 36" [914 MM] DOORS IN A BY-PASSING APPLICATION WILL REQUIRE TWO 72" [1828 MM] LONG GUIDE CHANNELS TO FILL OPENING.)



C-917 GUIDE CHANNEL CLEAR ANODIZED WITH PILE INSERT X LENGTH

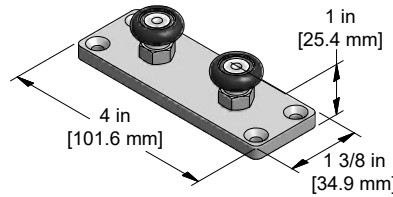
(FOR GUIDE CHANNEL RECESSED INTO BOTTOM OF DOOR, LENGTH = DOOR WIDTH, EXAMPLE: 36" [914MM] DOOR = 36" [914MM] GUIDE CHANNEL)



C-913 GUIDE



#10 X 1-3/4"
FLAT HEAD
SCREWS
(2 SUPPLIED
PER C-913 GUIDE)



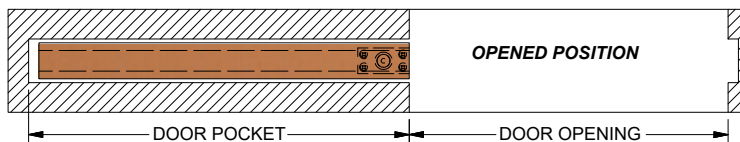
C-913-2 DOUBLE ROLLER GUIDE



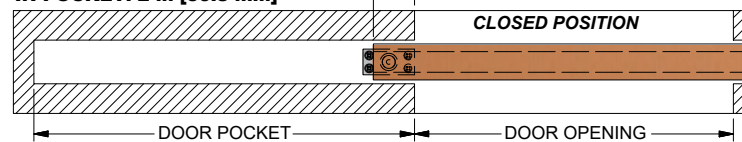
#10 X 1-3/4"
FLAT HEAD
SCREWS
(4 SUPPLIED
PER C-913-2 DOUBLE
ROLLER GUIDE)

TYPICAL INSTALLATION LOCATION FOR FLOOR GUIDES: POCKET DOOR APPLICATION

GUIDE CHANNEL IN DOOR WITH GUIDE ON FLOOR FOR POCKET DOOR APPLICATIONS ILLUSTRATED BELOW:

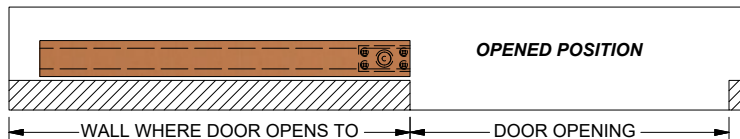


TYPICAL MINIMUM OVERLAP IN POCKET: 2 in [50.8 mm]

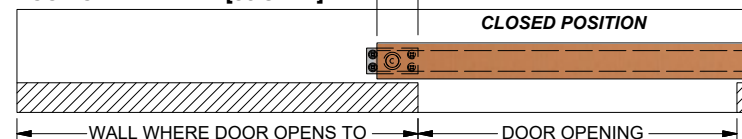


TYPICAL INSTALLATION LOCATION FOR FLOOR GUIDES: BARN DOOR APPLICATION

GUIDE CHANNEL IN DOOR WITH GUIDE ON FLOOR FOR BARN DOOR APPLICATIONS ILLUSTRATED BELOW:



TYPICAL MINIMUM OVERLAP OF DOOR ON WALL: 2 in [50.8 mm]



NOTE: IF USING THE C-913-2 DOUBLE ROLLER GUIDE, THE TYPICAL MINIMUM OVERLAP IS 4 in [101.6 mm]

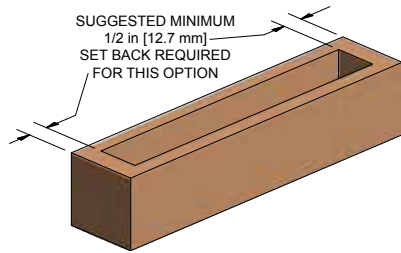
A PRODUCT OF K.N. CROWDER MFG. INC

GUIDE SYSTEM INSTALLATION OPTION #1: GUIDE CHANNEL IN DOOR WITH GUIDE ON FLOOR

STEP #1:

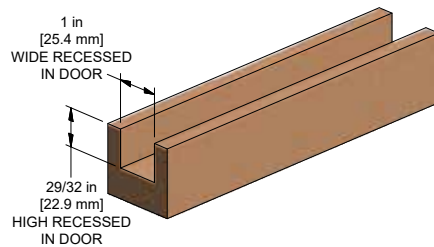
PREPARE BOTTOM OF DOOR ACCORDINGLY.

AESTHETIC NOTE: IF SUFFICIENT OVERLAP OF THE DOOR IS PROVIDED, GUIDE CHANNEL CAN BE RECESSED INTO THE DOOR WITHOUT CUTTING A SLOT THE FULL LENGTH OF THE DOOR. IF GUIDE CHANNEL WILL BE INSTALLED SHORT FROM THE EDGES, IT IS RECOMMENDED TO HAVE AT LEAST 1/2 in [12.7 mm] DOOR MATERIAL AT EACH END OF THE DOOR BEFORE THE START OF THE GUIDE CHANNEL SLOT.



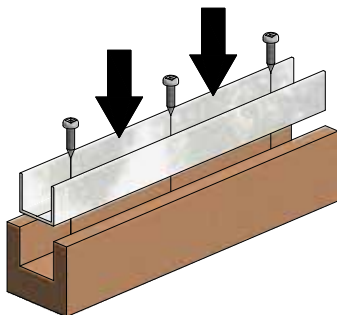
STEP #1 CONT'D

PREPARE C-914 GUIDE CHANNEL SLOT IN DOOR AT LEAST 1 in [25.4 mm] WIDE IN CENTER OF DOOR, AND AT LEAST 29/32 in [23 mm] DEEP. IT IS RECOMMENDED TO MAKE THE SLOT AS ACCURATE AS POSSIBLE FOR SECURE FIT AND NEAT APPEARANCE. SEE BELOW:



STEP #2

CUT C-914 ALUMINUM GUIDE CHANNEL TO CORRECT LENGTH AS REQUIRED. DRILL HOLES IN C-914 GUIDE CHANNEL AND PRE-DRILL HOLES IN DOOR. LOCATE CHANNEL IN SLOT PREVIOUSLY PREPARED ABOVE AND SCREW CHANNEL INTO PLACE WITH RECOMMENDED #8 X 3/4" PAN HEAD SCREWS (BY OTHERS).



STEP #3

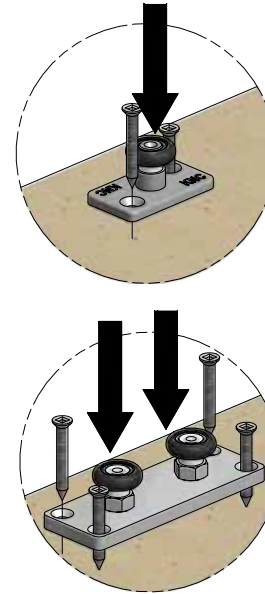
LOCATE C-913 GUIDE AS PER REQUIREMENT BASED ON THE SUGGESTIONS FOUND ON OPPOSITE SIDE AND SITE CONDITIONS AND SECURE TO FLOOR WITH #10 X 1-3/4" FLAT HEAD SCREWS (2).

OR

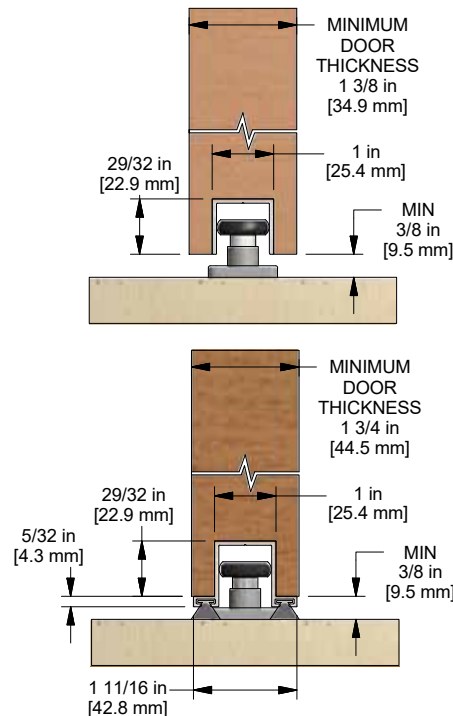
LOCATE C-913-2 DOUBLE ROLLER GUIDE AS PER REQUIREMENT BASED ON THE SUGGESTIONS FOUND ON OPPOSITE SIDE AND SITE CONDITIONS AND SECURE TO FLOOR WITH #10 X 1-3/4" FLAT HEAD SCREWS (4).

STEP #4

CONTINUE WITH PROJECT BY INSTALLING HANGERS AND PLACING DOOR INTO POSITION AS REQUIRED.



EXAMPLE OF FINISHED SET-UP SHOWN WITH DOOR



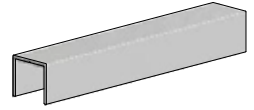
GUIDE SYSTEM INSTALLATION OPTION #2: GUIDE CHANNEL IN FLOOR WITH GUIDE(S) ON DOOR

STEP #1:

PREPARE SLOT IN FLOOR FOR C-914 GUIDE CHANNEL RECESSED IN FLOOR AS PER DIMENSION DETAILS ON OPPOSITE SIDE. GUIDE CHANNEL SHOULD BE FLUSH WITH FINISHED FLOOR.

STEP #2:

CUT C-914 GUIDE CHANNEL TO REQUIRED LENGTH FOR APPLICATION IF NECESSARY. PRE-DRILL HOLES INTO THE EXTRUSION. IT IS RECOMMENDED TO PRE-DRILL THE FLOOR WITH A SMALLER DRILL BIT THAN THE SCREW DIAMETER.



STEP #3:

POSITION C-914 GUIDE CHANNEL IN FLOOR SLOT AND SECURE WITH RECOMMENDED #8 PAN HEADS OR FLAT HEAD SCREWS (BY OTHERS).

STEP #4:

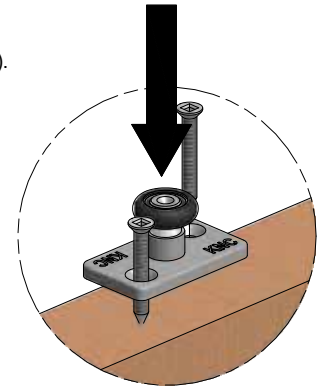
LOCATE C-913 GUIDE AT LEAST 2 in [50.8 mm] FROM EACH EDGE OF THE DOOR. (IT IS RECOMMENDED TO USE TWO GUIDES PER DOOR FOR APPLICATIONS WITH GUIDE CHANNEL RECESSED IN FLOOR).

STEP #5:

SECURE GUIDES TO DOOR WITH #10 X 1-3/4" FLAT HEAD SCREWS (2). IT IS RECOMMENDED TO PRE-DRILL PILOT HOLES FOR THE SCREWS BEFORE SECURING GUIDES TO DOOR.

STEP #6

CONTINUE WITH PROJECT BY INSTALLING HANGERS AND PLACING DOOR INTO POSITION AS REQUIRED.



EXAMPLE OF FINISHED SET-UP SHOWN WITH DOOR

