

Art.-Nr. 300.0894.xx 1000 re
300.0895.xx 1000 li

Magic Corner I

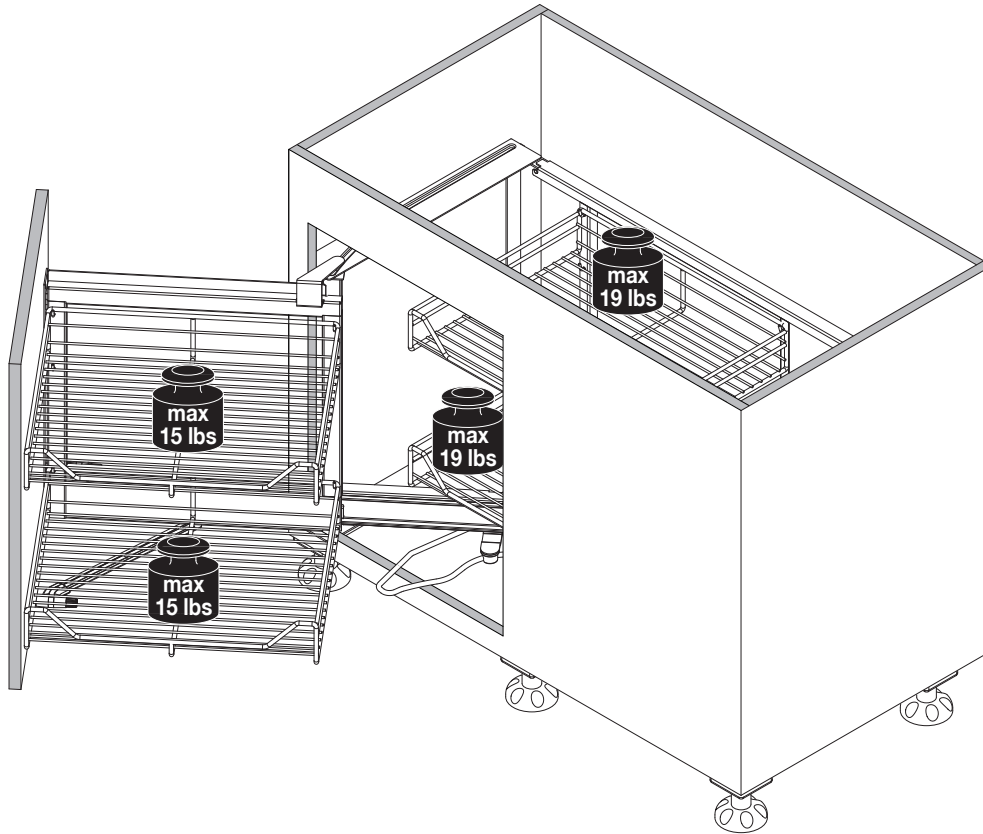
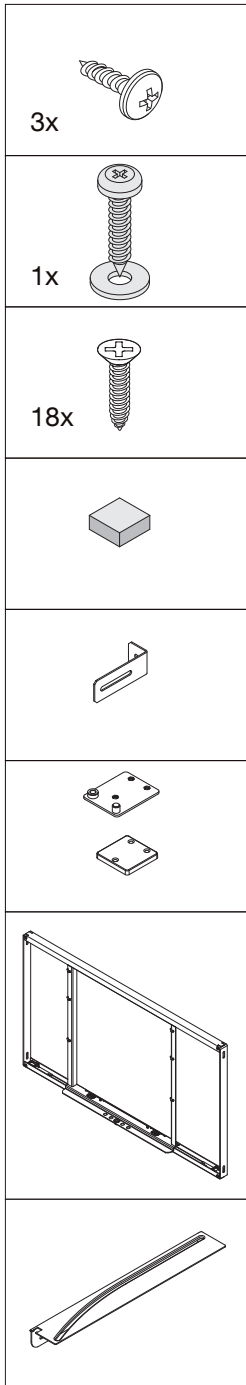
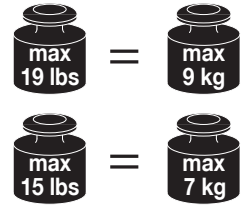


Montageanleitung
Assembly instruction
Instrucion de montaje
Instrucciones de montaje

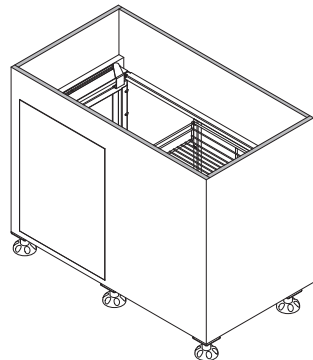
Vollauszug
Full-extension pull-out
Extension complète
Extension total

6295 Mosen
Switzerland
T +41 41 919 94 00
www.peka-system.ch

Frame overlay Frente superpuesto



Frame inset Frente inserto



Frameless Sin masco

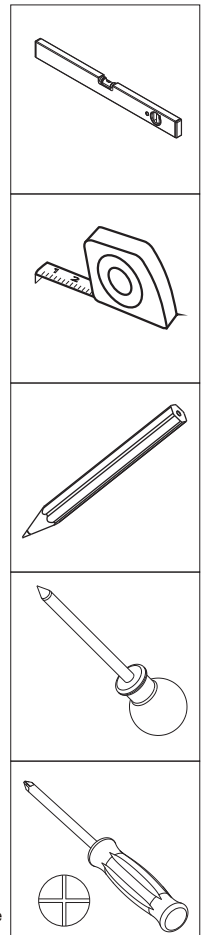
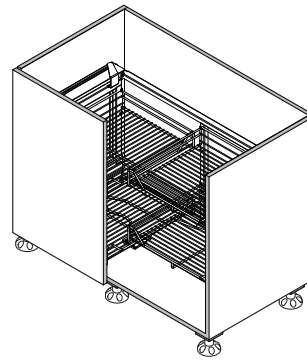
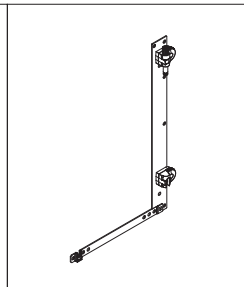
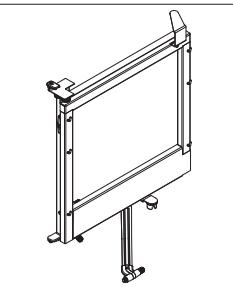
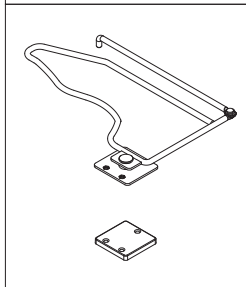
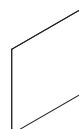


Illustration: Magic Corner left, Magic Corner right is mirror-inverted.
Figura: Magic Corner a la izquierda, Magic Corner a la derecha espejo invertido.



Drilling template left 950.0468.MA
Plantilla taladrar izquierda



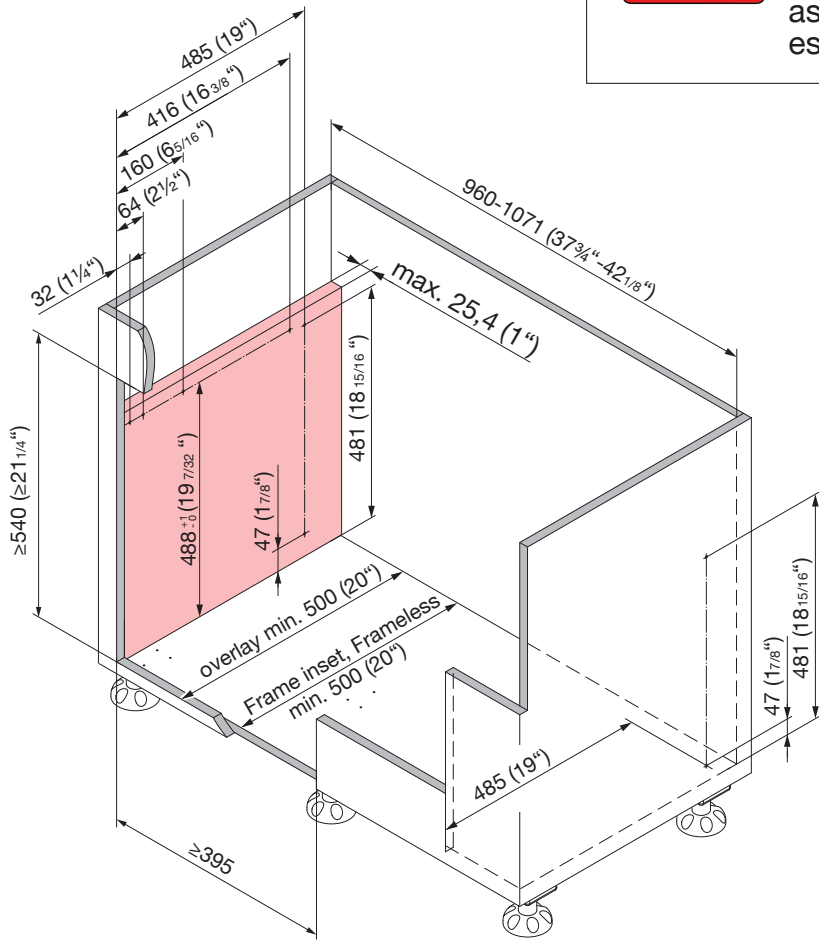
Drilling template right 950.0467.MA
Plantilla taladrar derecha

Dimensions in mm
Inches are approximate
Dimensiones en mm

| | |
|----------------|---------------|
| 950.0363.MA | Rev. e |
| 28.01.2009 hrm | 08.02.2018 mm |

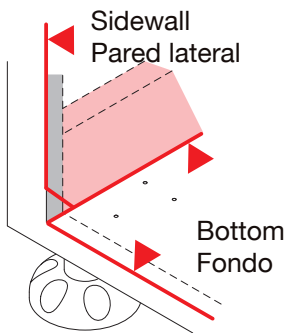
1 Prepare Cabinet
Preparar cabina

! Before starting the installation make sure that the cabinet is at leveled and secured to the wall.
Antes de iniciar la instalación asegúrese de que el gabinete es nivel seguro y a la pared.

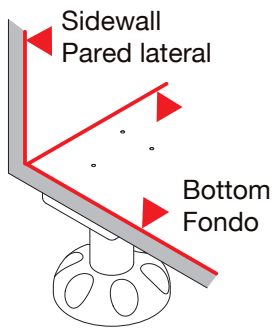


2 How to use template
Uso da la plantilla

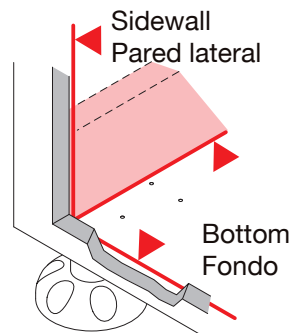
Frame overlay
Frente superpuesto



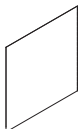
Frameless
Sin masco



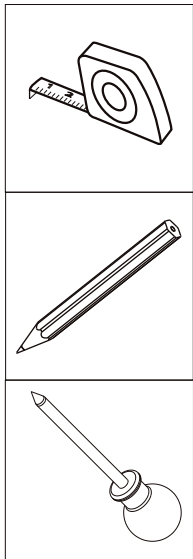
Frame inset
Frente inserto



Drilling template left 950.0468.MA
Plantilla taladrar izquierda



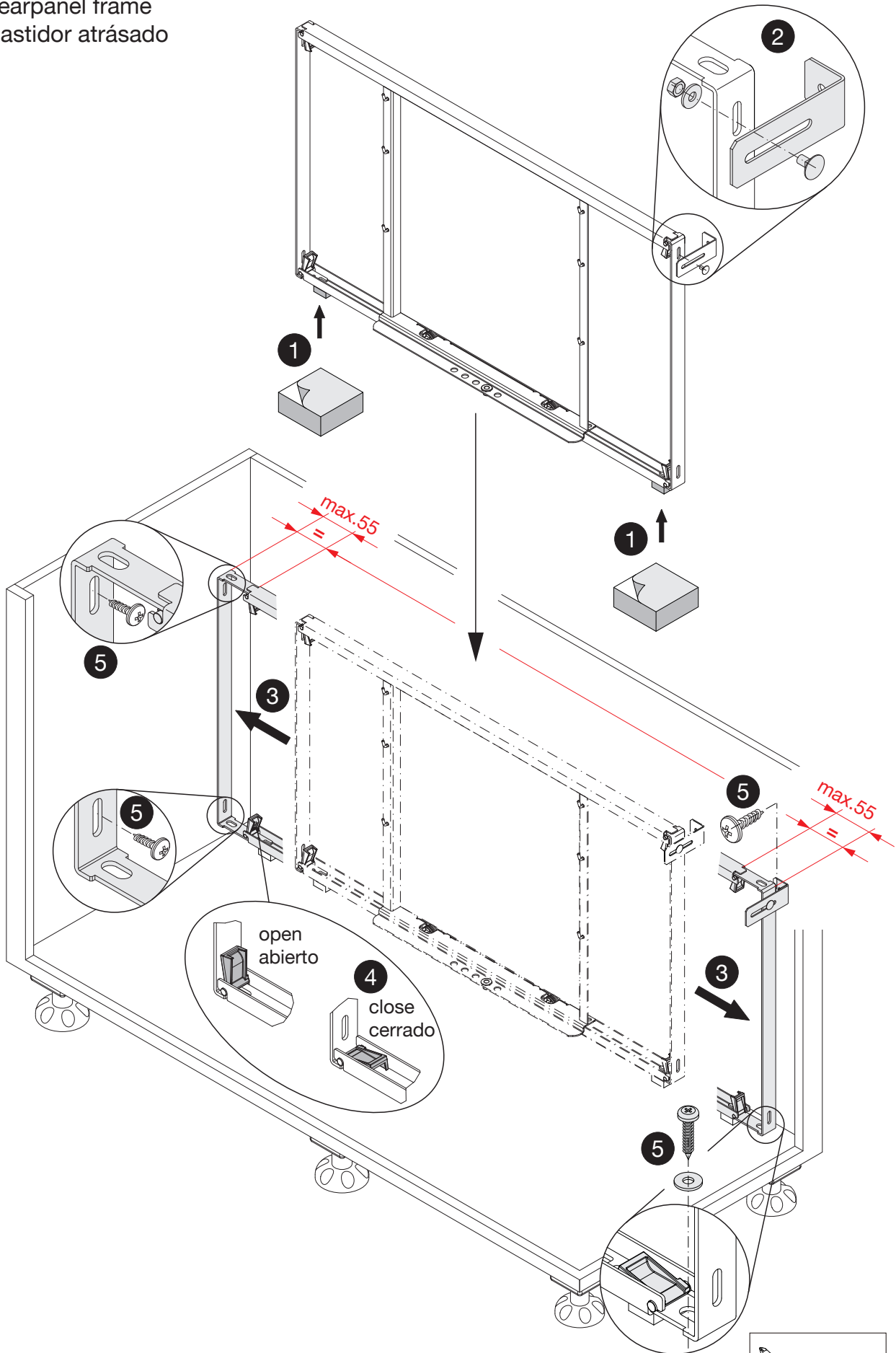
Drilling template right 950.0467.MA
Plantilla taladrar derecha



Dimensions in mm
Inches are approximate
Dimensiones en mm

| | |
|----------------|---------------|
| 950.0363.MA | Rev. e |
| 28.01.2009 hrm | 08.02.2018 mm |
| 2/8 | |

3 Mounting of rearpanel frame
 Montaje del bastidor atrásado



3x

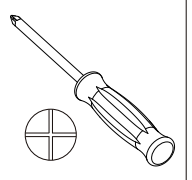
1x

Spacer 2x
Guarda distancias

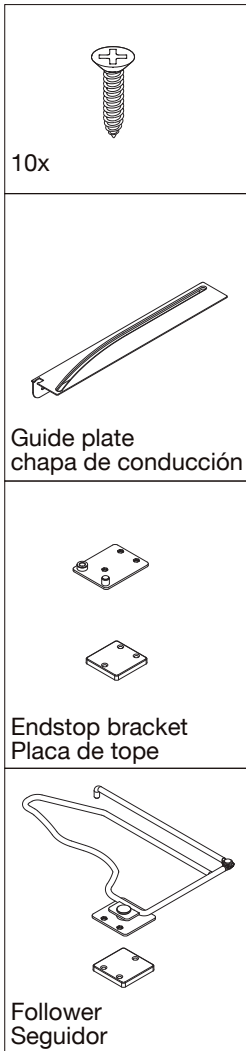
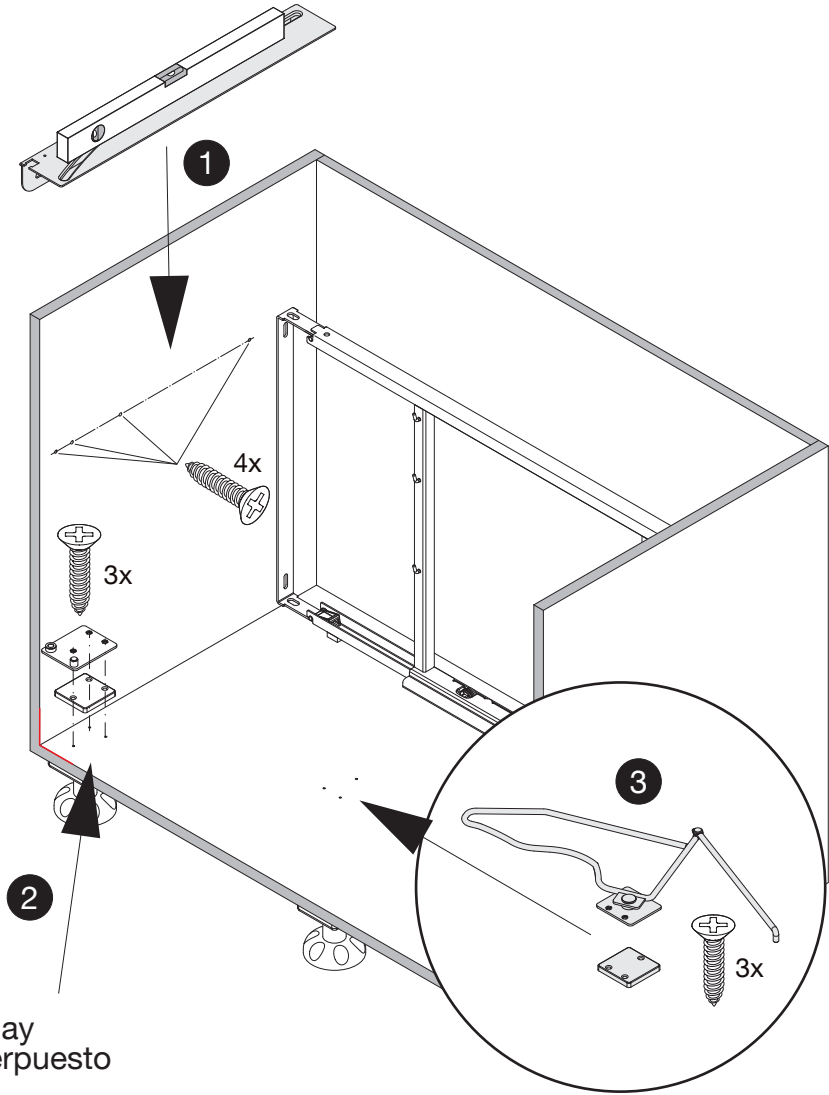
Rearpanel frame
Bastidor atrásado

Dimensions in mm
 Inches are approximate
 Dimensiones en mm

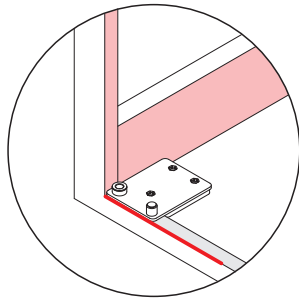
| | |
|----------------|---------------|
| 950.0363.MA | Rev. e |
| 28.01.2009 hrm | 08.02.2018 mm |
| 3/8 | |



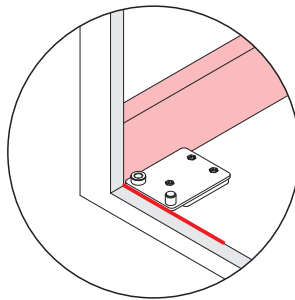
4 Mounting of guide plate, endstop bracket, follower
 Montaje de la camino de rodadura, placa de tope, seguidor



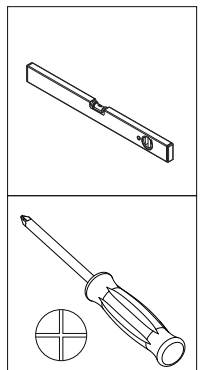
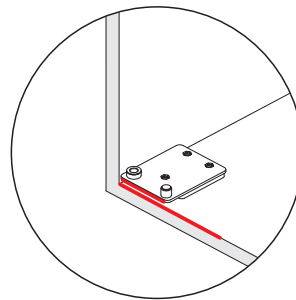
Frame overlay
Frente superpuesto



Frame inset
Frente inserto



Frameless
Sin masco



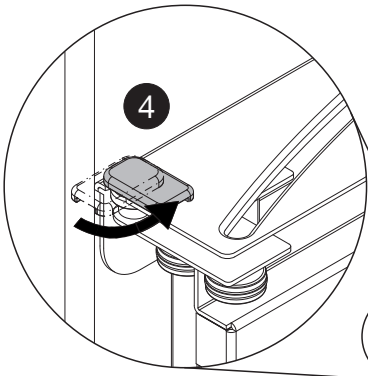
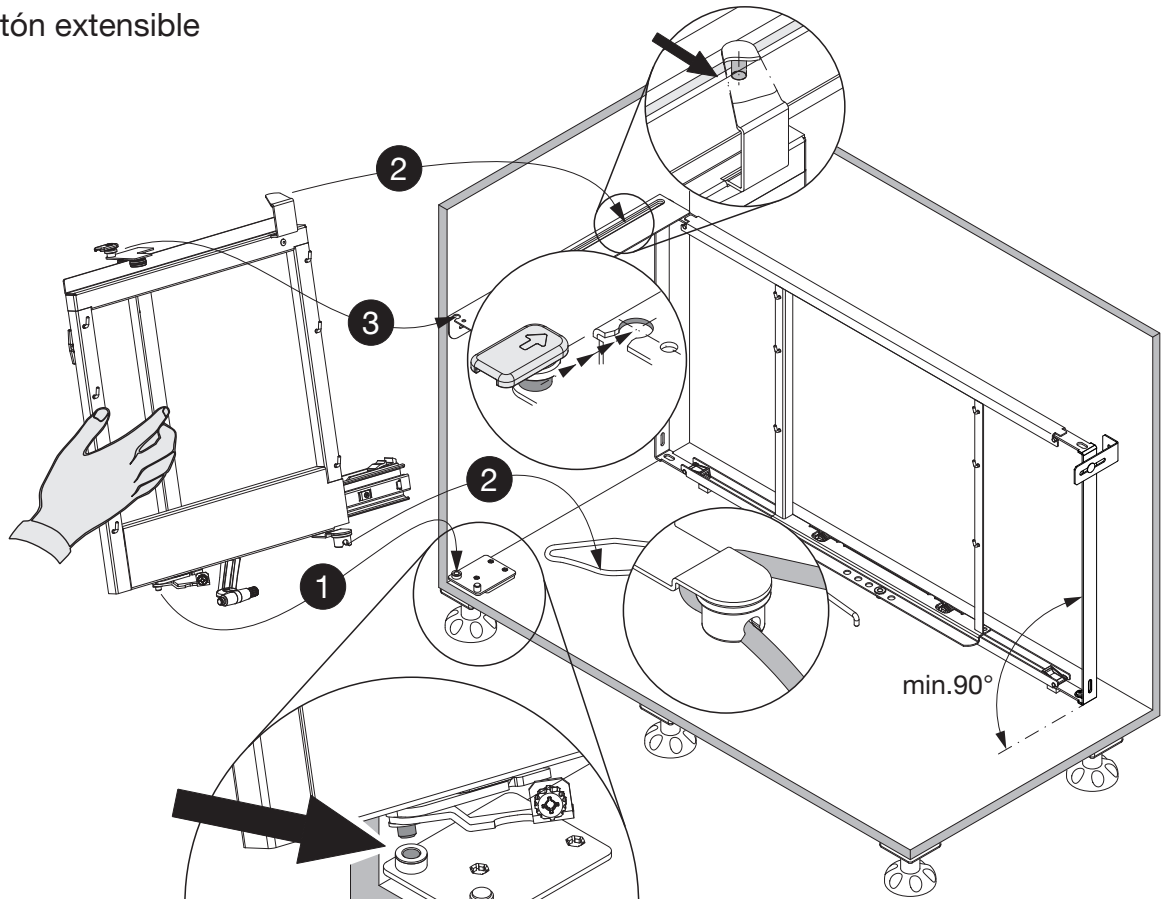
Dimensions in mm
 Inches are approximate
 Dimensiones en mm

| | |
|----------------|---------------|
| 950.0363.MA | Rev. e |
| 28.01.2009 hrm | 08.02.2018 mm |
| 4/8 | |

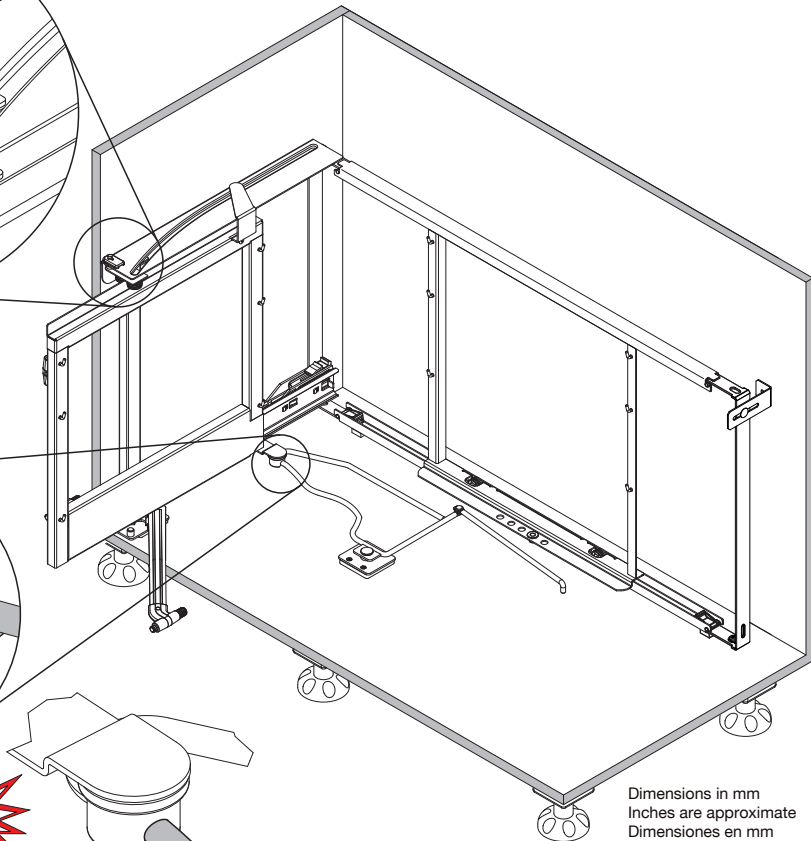
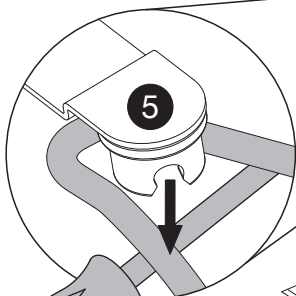
5 Install pull-out frame
 Montaje del armatón extensible



Don't squeeze fingers
 Cuidado con los dedos



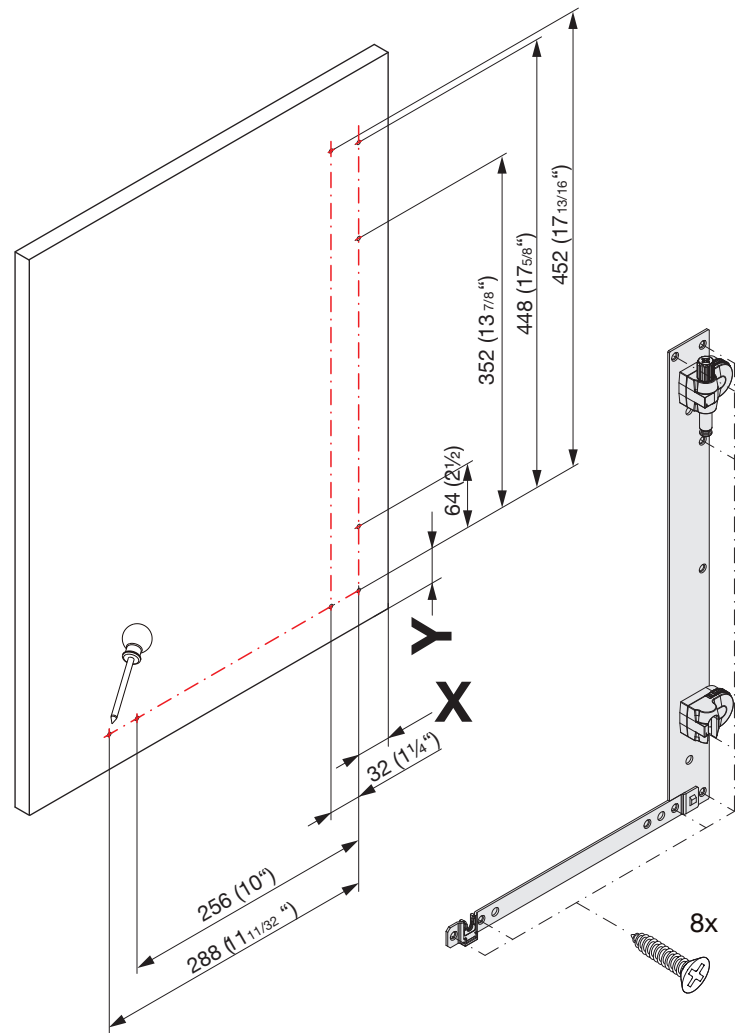
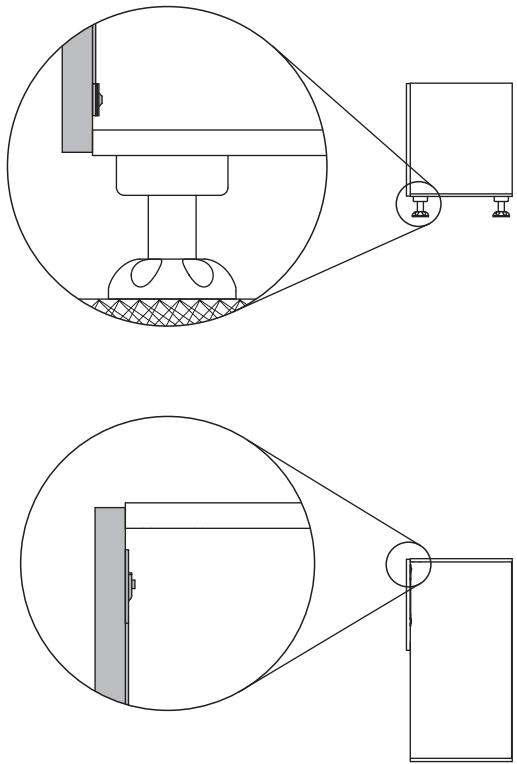
Don't squeeze fingers
 Cuidado con los dedos



Dimensions in mm
 Inches are approximate
 Dimensiones en mm

| | |
|----------------|---------------|
| 950.0363.MA | Rev. e |
| 28.01.2009 hrm | 08.02.2018 mm |
| 5/8 | |

6 Screw front bracket to door
Atornillar de la chapa frente

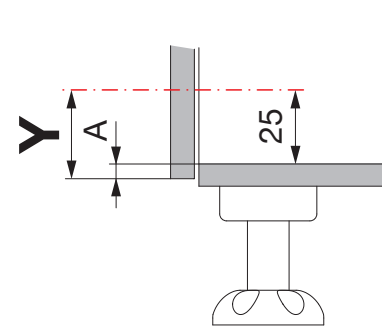
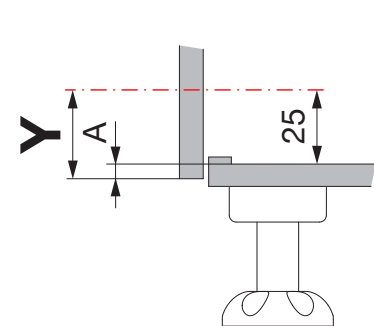
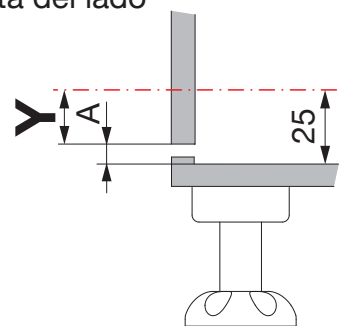


Side view
Vista del lado

$Y=25-A$

$Y=25+A$

$Y=25+A$

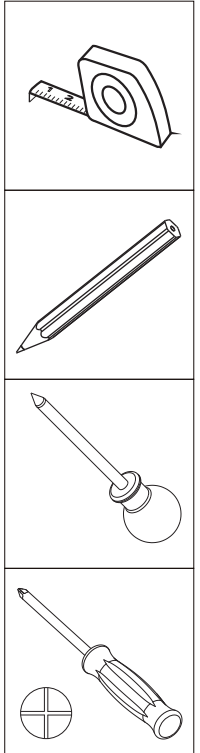
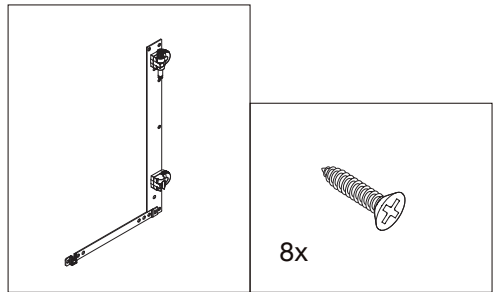
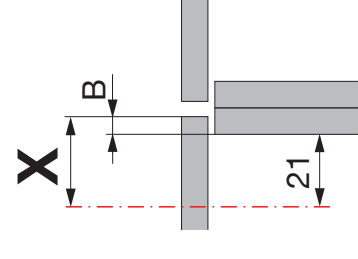
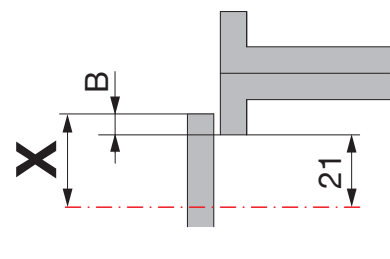
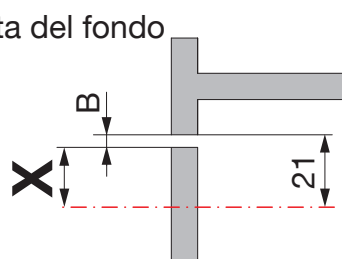


Top view
Vista del fondo

$X=21-B$

$X=21+B$

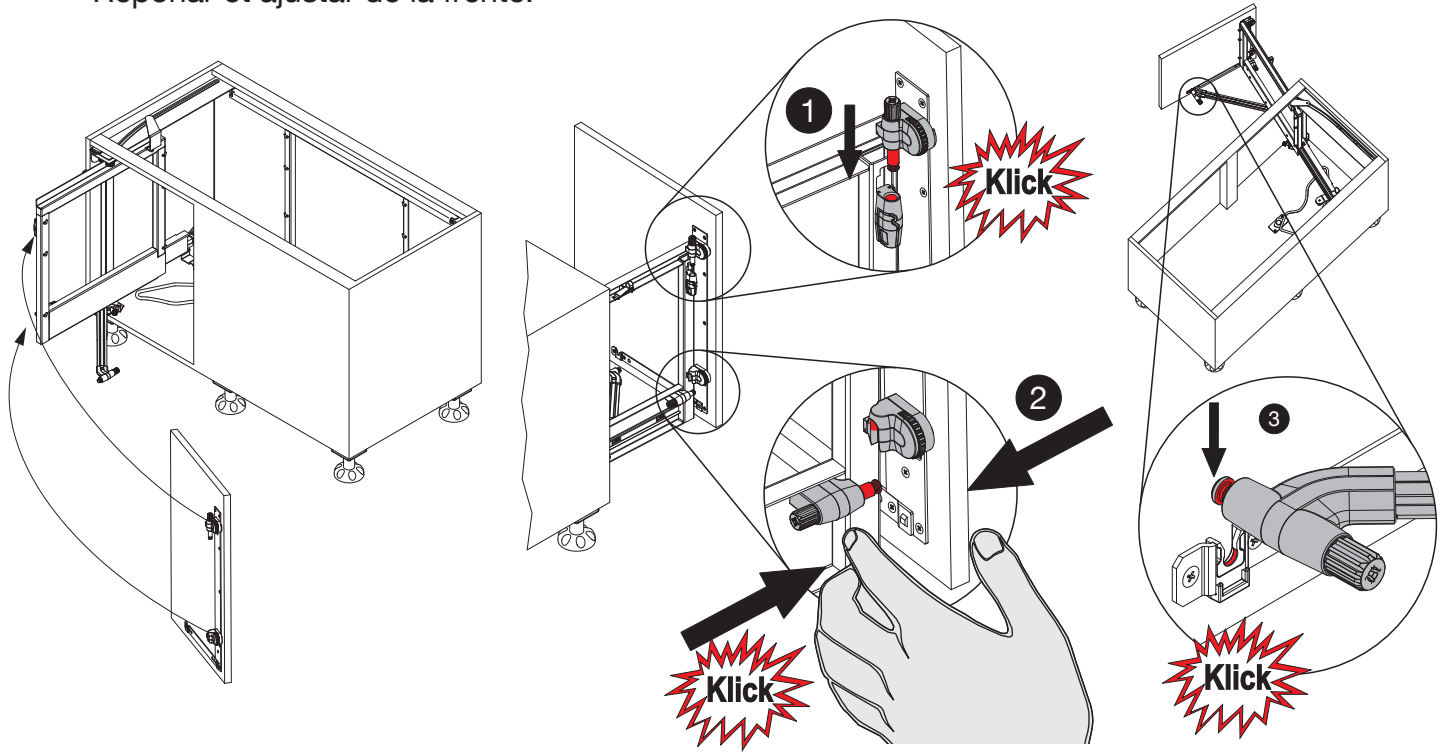
$X=21+B$



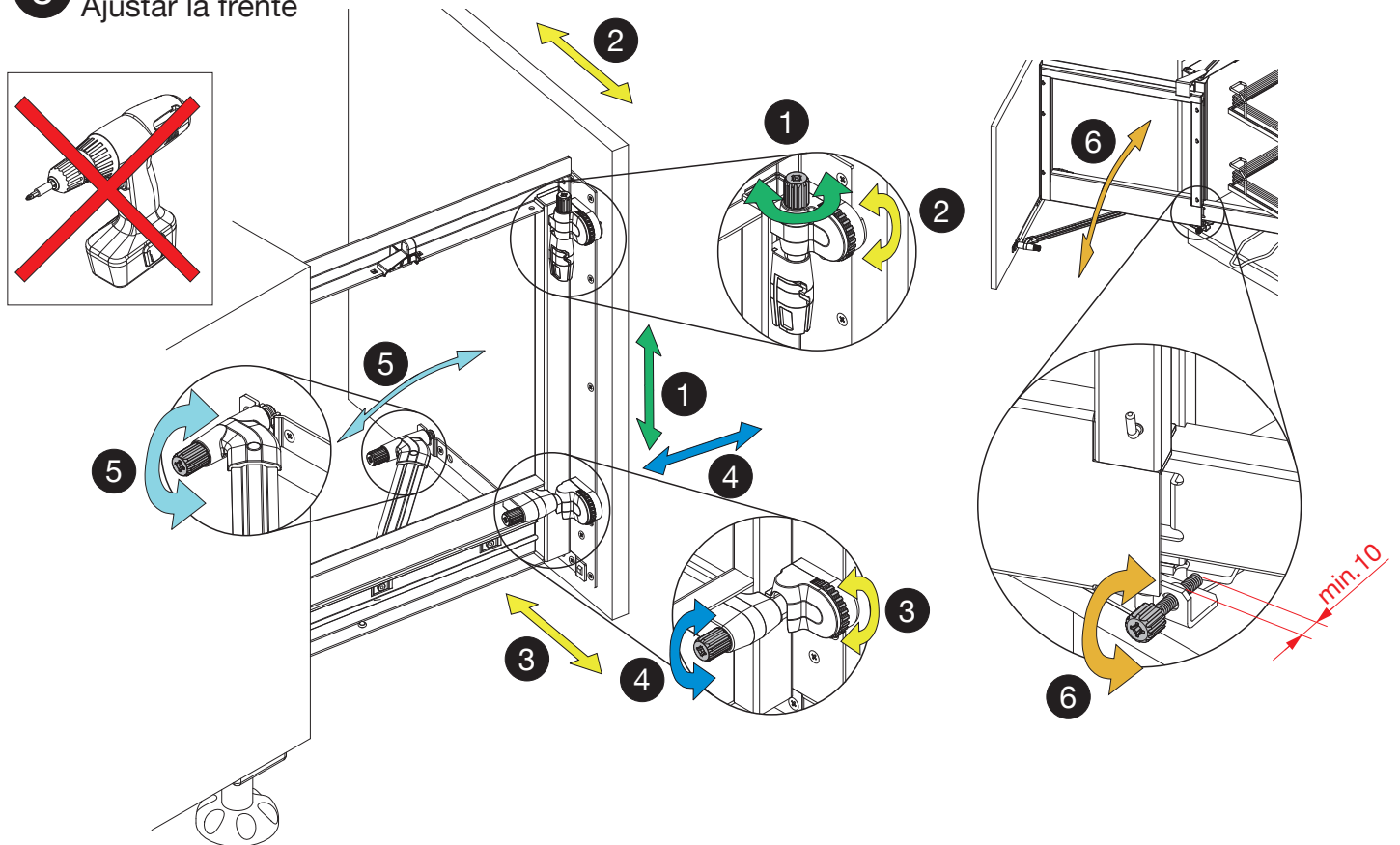
Dimensions in mm
Inches are approximate
Dimensiones en mm

| | |
|----------------|---------------|
| 950.0363.MA | Rev. e |
| 28.01.2009 hrm | 08.02.2018 mm |
| 6/8 | |

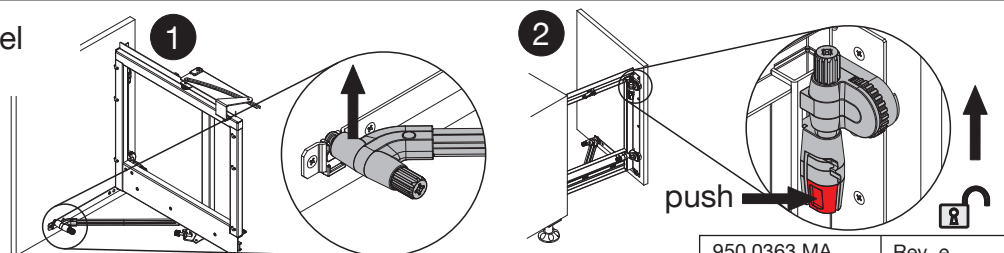
7 Replacement and adjustment of front panel.
Reponar et ajustar de la frente.



8 Adjustment of front panel
Ajustar la frente



9 Dismounting of front panel
Desquissar la frente

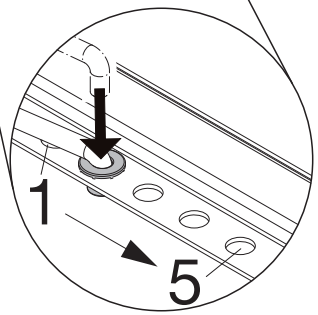
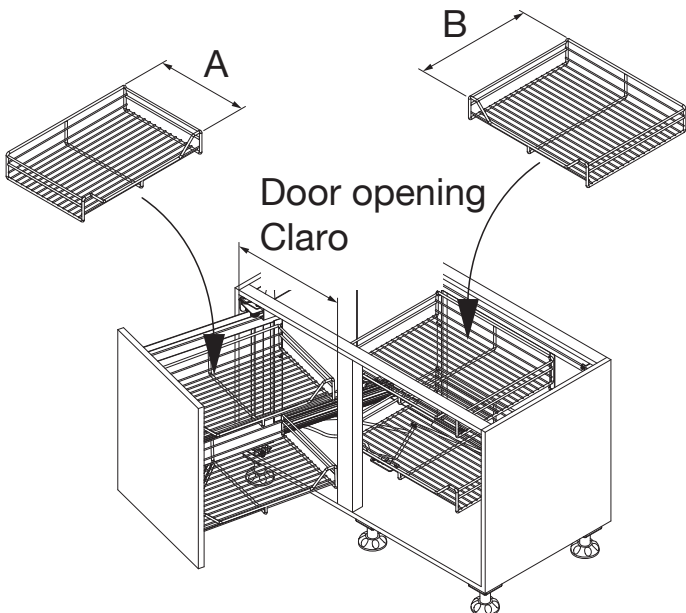
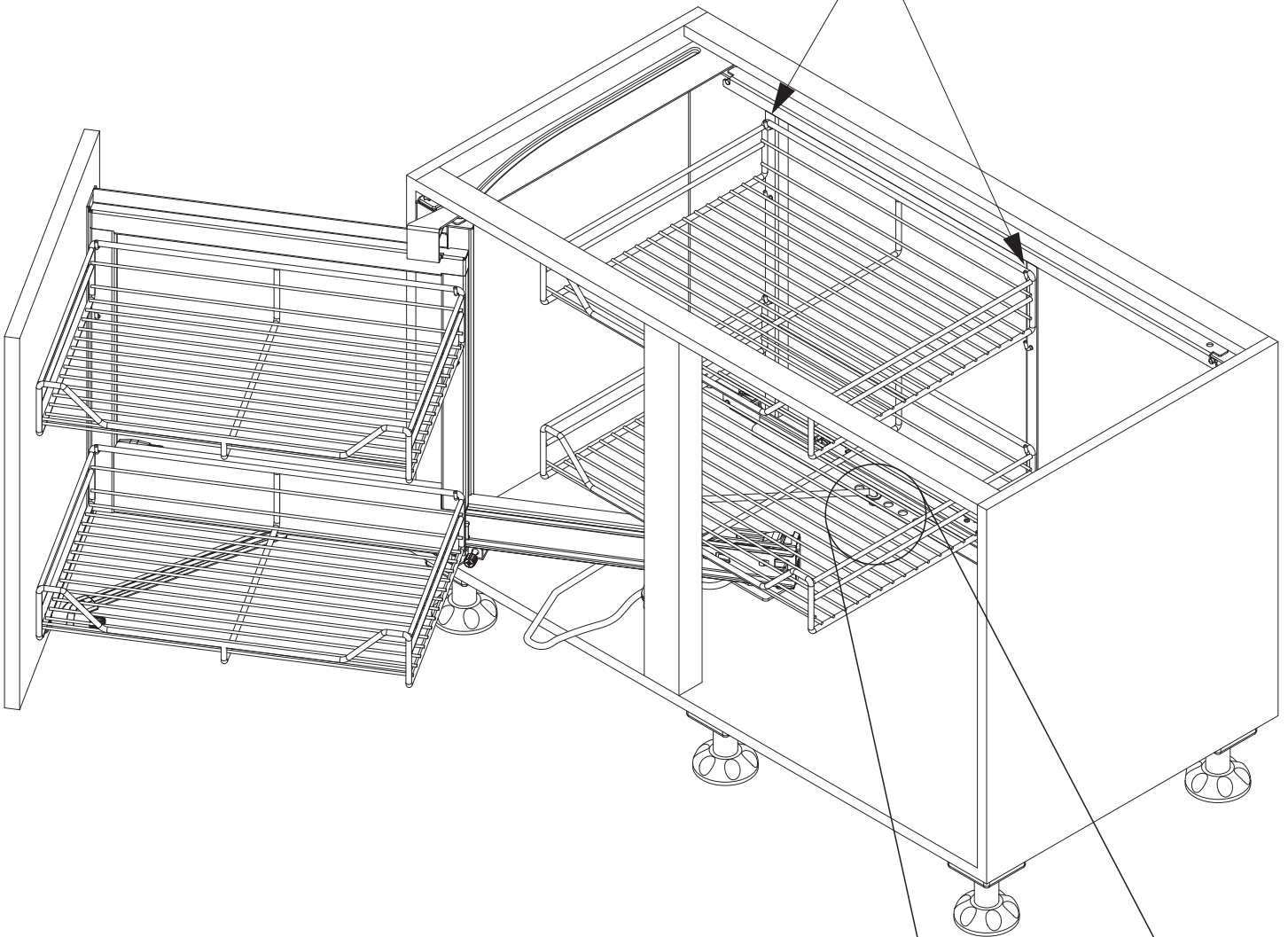


| | |
|----------------|---------------|
| 950.0363.MA | Rev. e |
| 28.01.2009 hrm | 08.02.2018 mm |
| 7/8 | |

Dimensions in mm
Inches are approximate
Dimensiones en mm

10 Clip-on baskets/shelves
Clampar los canastos

Clip-on baskets/shelves on hooks
Enquiciar en los antuelos



| Type Tipo | Door opening Daro frente | Baskets/shelves dimension Dim. del canastos/estantes A/B | left / right izq. / der. |
|--------------|-----------------------------|--|-----------------------------|
| 1000 | 395 | 295/390 | 2/4 |
| 1000 | 440 | 340/390 | 2/4 |
| 1000 | 490 | 390/390 | 1/5 |

Dimensions in mm
Inches are approximate
Dimensiones en mm