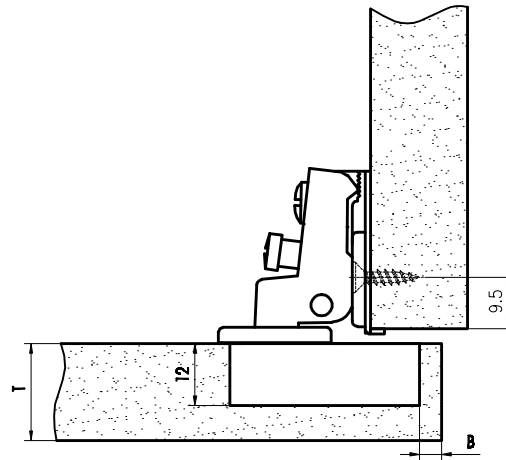
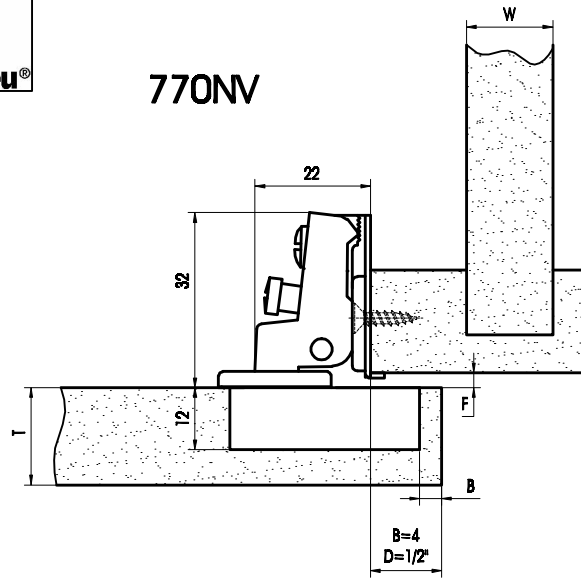




770NV



Minimum reveal table (F)					
3	1.3	1.3	1.3	1.5	1.5
4	1.3	1.3	2.0	2.5	2.5
5	1.3	2.2	2.9	3.5	3.5
6	2.3	3.1	3.9	4.5	4.5
B	16	19	22	24	26
	T=door thickness				