

Installation Instructions

Cafe Door Pivot Hinges

with Hold Open Feature

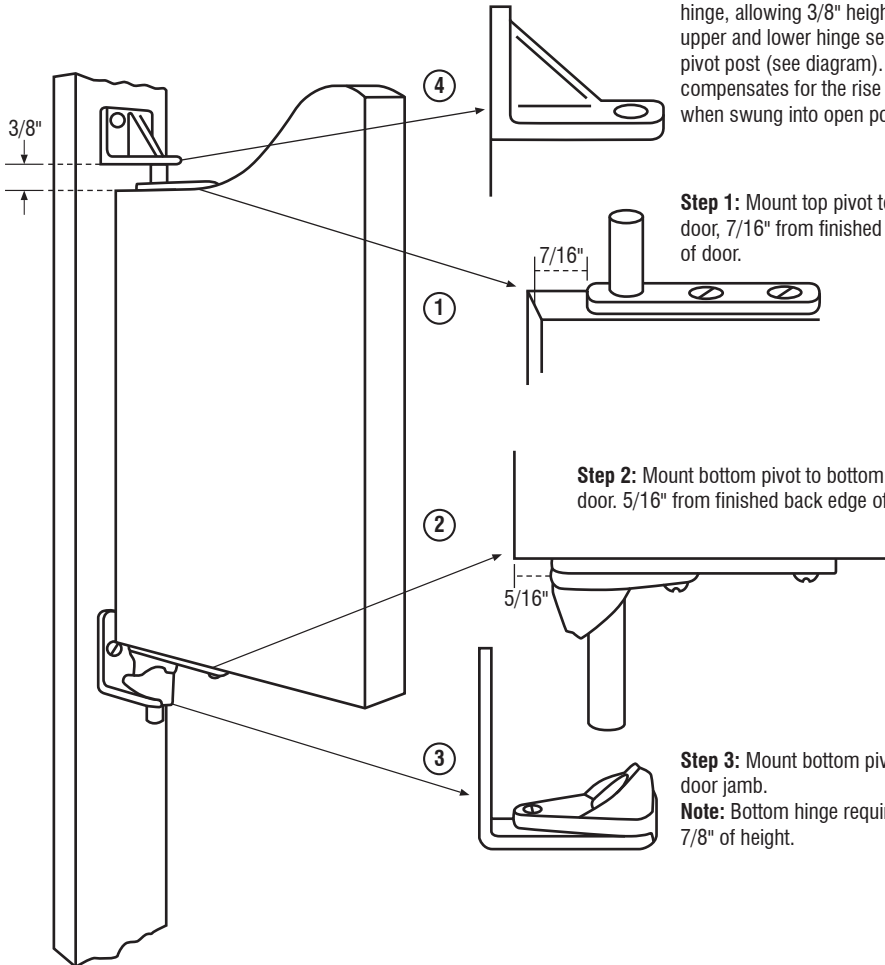
Step 4: Set door into bottom pivot. Locate screw hole positions for top pivot on jamb. Mount jamb section of hinge, allowing $3/8"$ height between upper and lower hinge sections on pivot post (see diagram). This compensates for the rise of the door when swung into open position.

Step 1: Mount top pivot to top of door, $7/16"$ from finished back edge of door.

Step 2: Mount bottom pivot to bottom of door. $5/16"$ from finished back edge of door.

Step 3: Mount bottom pivot to door jamb.

Note: Bottom hinge requires $7/8"$ of height.



Important: Jamb section of upper hinge **MUST** be mounted with door in mounted position and with jamb hinge section over pivot post.