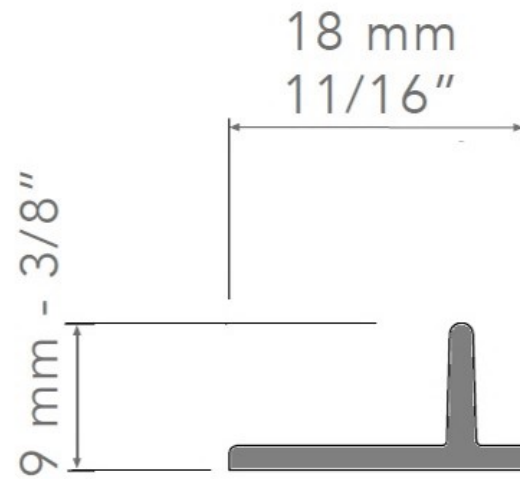


ROLL 25



253180 = 2000 mm (78-3/4"po)

253181 = 3000 mm (118 "po)