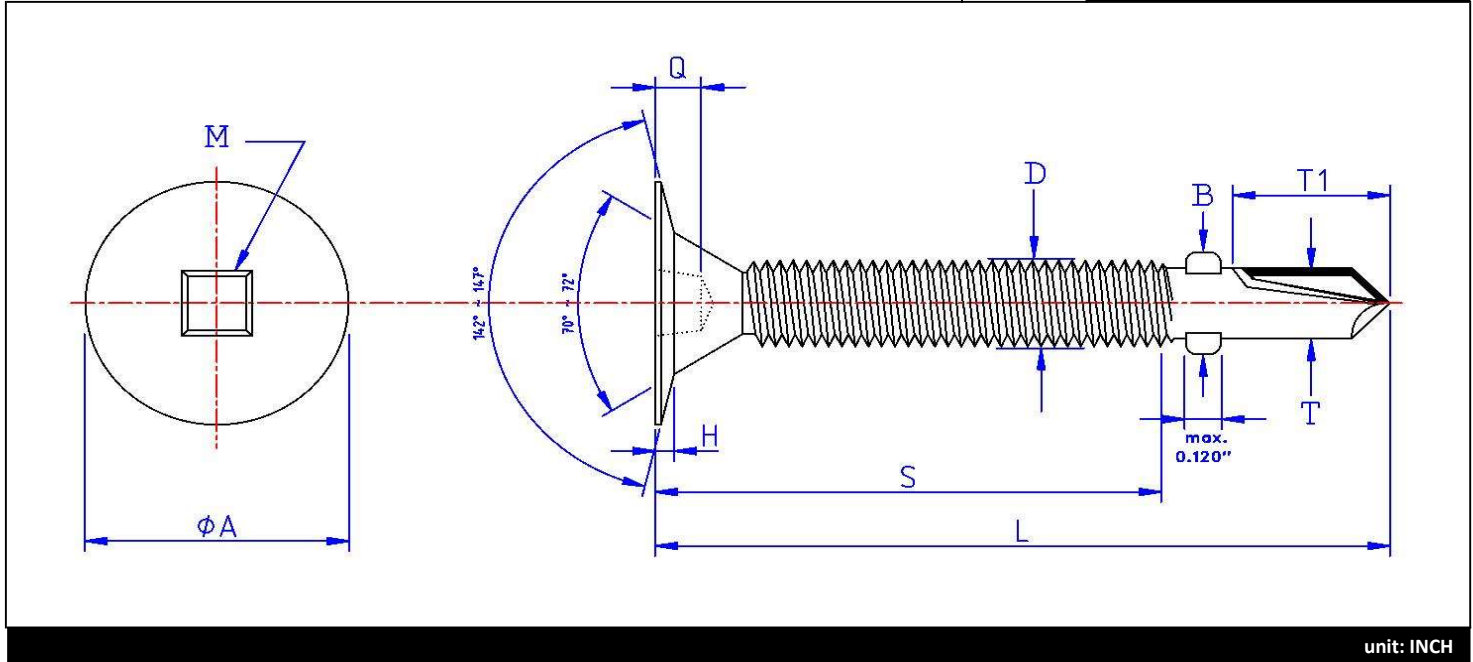


Brand	Root
	WKRTZ...



unit: INCH

L LENGTH TOLERANCE	> 3/4" to ≤ 1-1/2"	+ 0	- 0.05
	> 1-1/2"	+ 0	- 0.06

S THREAD LENGTH	When "L" is	"S" Should be
	1-7/16"	7/8"
	2"	1-3/8"
	2-1/2"	1-7/8"
	3"	2-3/8"

SCREW SIZE	M PUNCH		Q DRIVE DEPTH	A HEAD DIAM.	H HEAD THICKNESS	D THREAD DIAM.	B REAMER DIAM.	T POINT DIAM.	T1 POINT LENGTH	THREAD PER INCH	Min. Torsional Strength Lb/Inch
# 10	# 2	Min	0.060	0.461	0.039	0.183	0.197	0.161	Ref.	24	65
		Max	0.075	0.476	0.050	0.190	0.236	0.168	0.250		
# 12	# 3	Min	0.080	0.527	0.048	0.209	0.223	0.191	Ref.	24	100
		Max	0.095	0.560	0.060	0.216	0.275	0.197	0.312		

Wafer Head with REAMER, Square Recess, Self-Drilling "TEK" Screw Point #3, Zinc Plated

Root = Wafer sockEt Reamer Tek Zinc

Bulk Label Description:

English: WAFER HEAD WITH REAMER, SQUARE, SELF DRILLING (TEK) SCREW, ZINC

French: VIS AUTO-PERCEUSE (TEK), TÊTE WAFER AVEC AILLETTE, CARRÉ, ZINC

Spanish: TORNILLO AUTOPERFORANTE (TEK), CABEZA WAFER CON ESCARIADOR, CUADRADO, ZINC

Date : 17 novembre 2020

Done by : P.B.