



BRACKET CONVERSION KIT

APPLICATIONS: Converts 3732 slides for face frame applications. Rear bracket easily snaps on the existing slide.* Rear bracket has a 2" adjustment range. No tools needed for installation of bracket to slides.

Part Number 4180-0431-XE
For Use With Slide Model 3732

Installation Instructions

See Model 3732 tech sheet for additional slide details.

Attach Rear Brackets to Slide Member

First, separate slide members by depressing latch into the drawer member.

Attach Rear Bracket

1. Push rear bracket onto the slide cabinet member. Ensure locking lug on plastic slider engages the mating hole in the slide member **and** the bumper on the slide seats into the plastic slider on the bracket. See Figure 1.

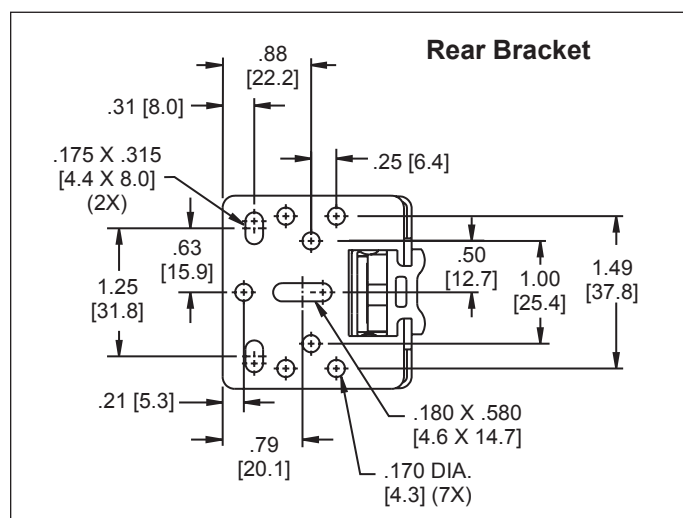
Mount Slide to Cabinet

1. Secure a .75" thick X 2" wide vertical mounting strip to the rear wall or cabinet back for each slide.
2. Position the front of the slide against the front vertical mounting strip. Install screw in the first mounting hole. Do not tighten screw completely at this time.
3. Extend the rear bracket until it contacts the rear vertical mounting strip. ***NOTE: The maximum adjustment range is 2" from the back of the cabinet to the rear of the slide.** Check that both cabinet members are vertically and horizontally parallel. Mount the rear bracket using the two vertical slots. Make any necessary adjustment. See Figure 2.
4. Secure the rear bracket with a screw in a round hole. Tighten the screw in the front to secure the slide. See Figure 2.

Mount Slide to Drawer

1. Install drawer member using vertical slots.
2. Insert drawer member after making sure ball bearing retainers are fully forward. Close drawer completely.
3. Adjust vertical position and install two more screws in round holes after free movement is achieved. See Figure 3.

NOTE: This product is RoHS compliant. Specification, materials, prices, terms, and delivery are subject to change without notice.



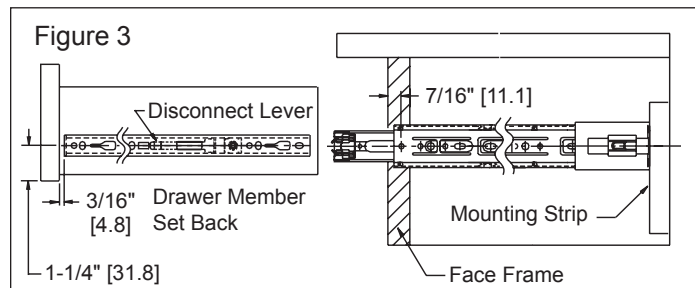
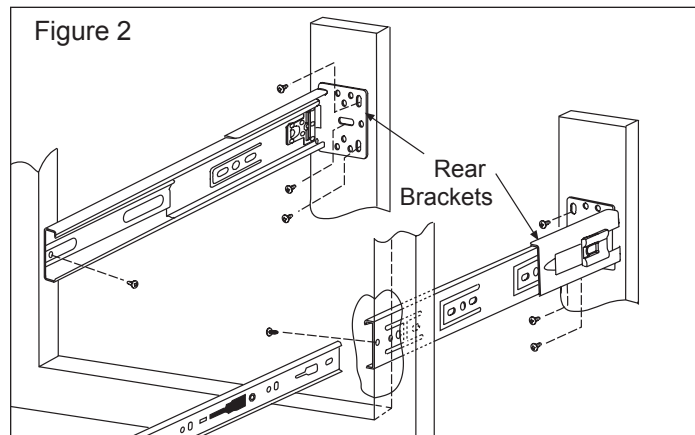
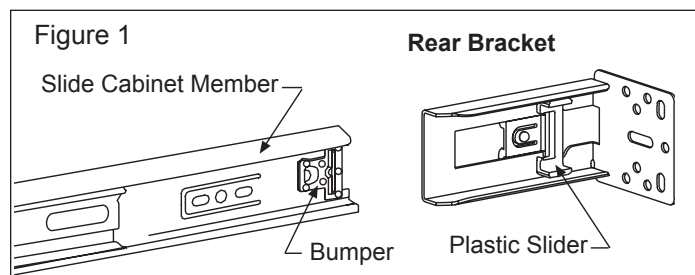
For the most current technical information visit www accuride.com

Ordering and Packaging Procedure

Rear brackets can be ordered as a kit or in bulk. Mounting screws are **not** included.

For rear bracket **kit**, order part number 4180-0431-XE. Each kit contains 2 rear brackets and installation sheet. Order one kit part per pair of slides.

For **bulk**, order 2 rear brackets, part number 4080-0234-CE, per pair of slides ordered.



ACCURIDE INTERNATIONAL INC.

12311 Shoemaker Avenue
Santa Fe Springs, CA 90670

TEL (562) 903-0200

FAX (562) 903-0208

www accuride.com

Manufacturing, Engineering, and Sales

United States • Germany • Japan • Mexico • United Kingdom • China

Copyright © 2007 Accuride International Inc. 3700-9449(1084)-MK088-R2-0408