

Version: 12-2004

## INSERTA tool-free assembly

Blum offers tool-free attachment of hinge to door and plate to cabinet with its INSERTA hinges and mounting plates.



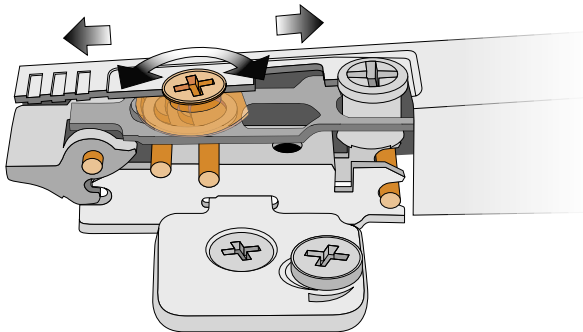
## Time proven CLIP and CLIP TOP technology

Since 1985, the CLIP hinge has been an industry leader in easy, tool-free attachment of door to cabinet.



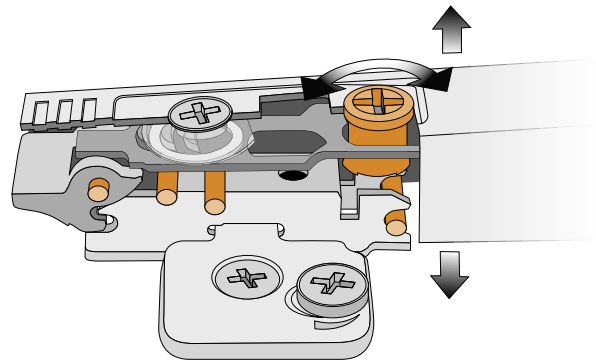
## CLIP TOP special feature: Spiral-Tech depth adjustment

With Blum's Spiral-Tech depth adjustment, just one and three quarter revolutions of the screw creates 5mm of adjustment without loosening and retightening a fixing screw.



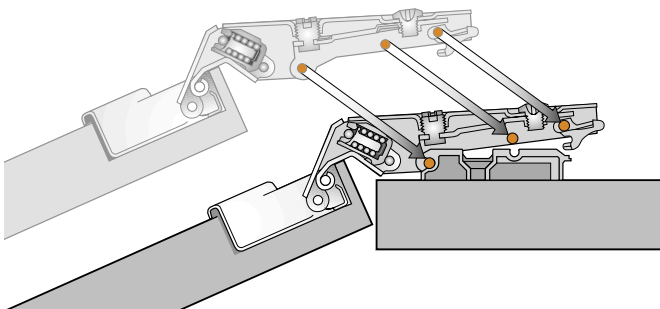
## Side adjustment

Blum's side adjustment is a flush screwhead that allows 4mm of adjustment. It also has an integral stop that prevents removal.



## Blum three-point contact

CLIP top and CLIP hinges have three-point contact between the hinge and mounting plate to keep them firmly connected under heavy usage.



## Wide variety of mounting plates

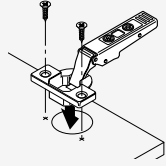
Blum has mounting plates for every application, from wing plates with pre-attached screws or dowels, to Cam height adjustable face frame adapters, to sleek in-line mounting plates.



Version: 12-2004

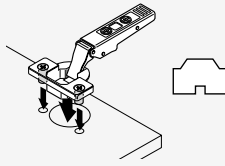
## Hinge-to-door attachment

### Screw-on



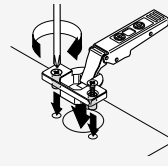
Use #6 wood screws

### Press-in



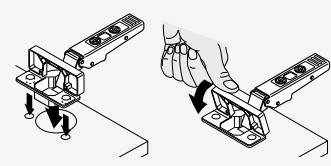
Pre-attached dowels installed with Blum MINIPRESS

### EXPANDO



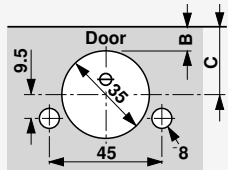
Pre-attached expanding dowels

### INSERTA



Tool-free attachment

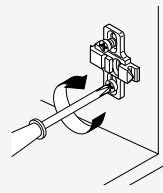
## Hinge cup centerpoint



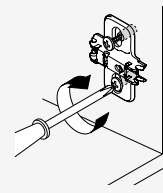
C Cup centerpoint					
20.5	21.5	22.5	23.5	24.5	25.5
3	4	5	6	7*	8*
B Bore distance					

\* only for use with select Blum hinges  
 Cup centerpoint is the MINIPRESS or MINIDRILL fence depth position.

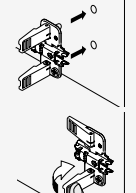
## Mounting plate-to-cabinet



Screw-on



EXPANDO

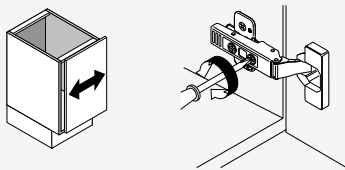


INSERTA

## Three-dimensional adjustment

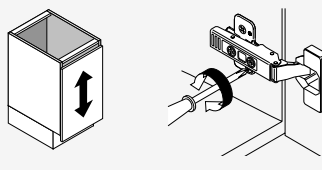
### Side adjustment

Turn front screw to increase or decrease door overlay (+/-2mm).



### Height adjustment

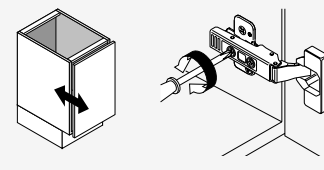
Rotate cam Screw-on mounting plate to adjust door position (+/-2mm).



On non-cam mounting plates, loosen screw, adjust door and retighten screws.

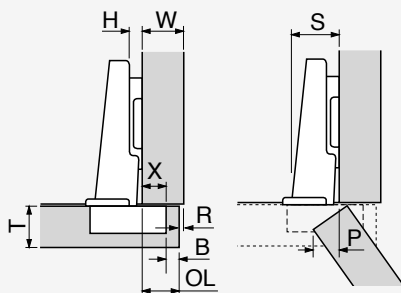
### Depth adjustment

Turn rear spiral-tech cam screw to adjust door position (+3mm, -2mm).



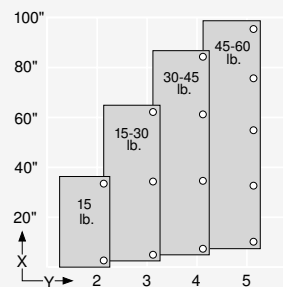
For CLIP, loosen rear screw, adjust and retighten.

## Hinge dimension abbreviations



- B = Boring distance
- H = Mounting plate height
- OL = Door overlay
- P = Door protrusion (at max opening)
- R = Reveal
- S = Hinge arm protrusion
- T = Door thickness
- W = Side panel width
- X = Fixed distance

## Hinges per door



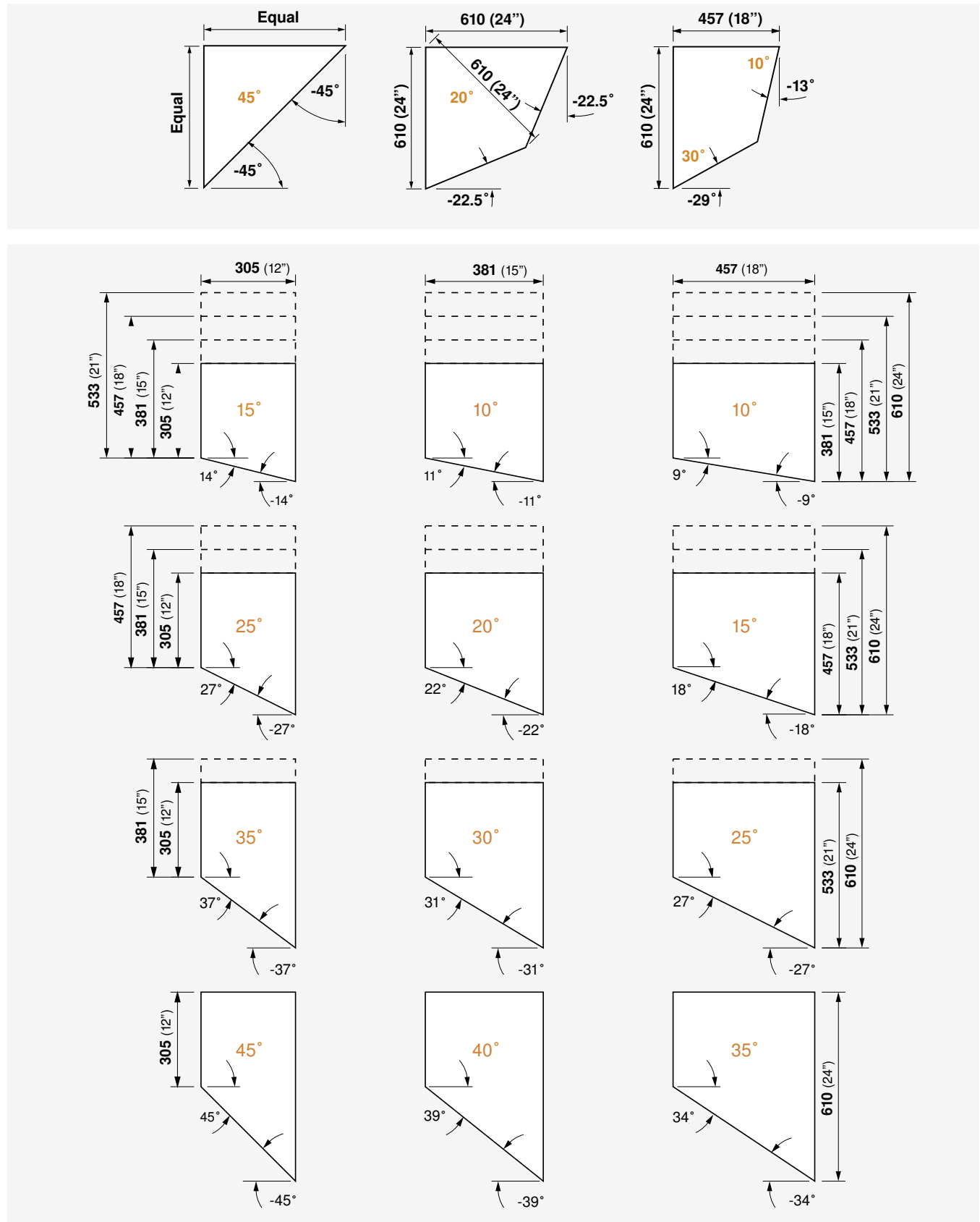
X = Door height  
 Y = Number of hinges

This chart can serve as a guide for determining the number of hinges per door. Note that door weight can also determine the number of hinges required.

**Important:**  
 The distance between the two hinges must be greater than the width of the door for maximum stability.

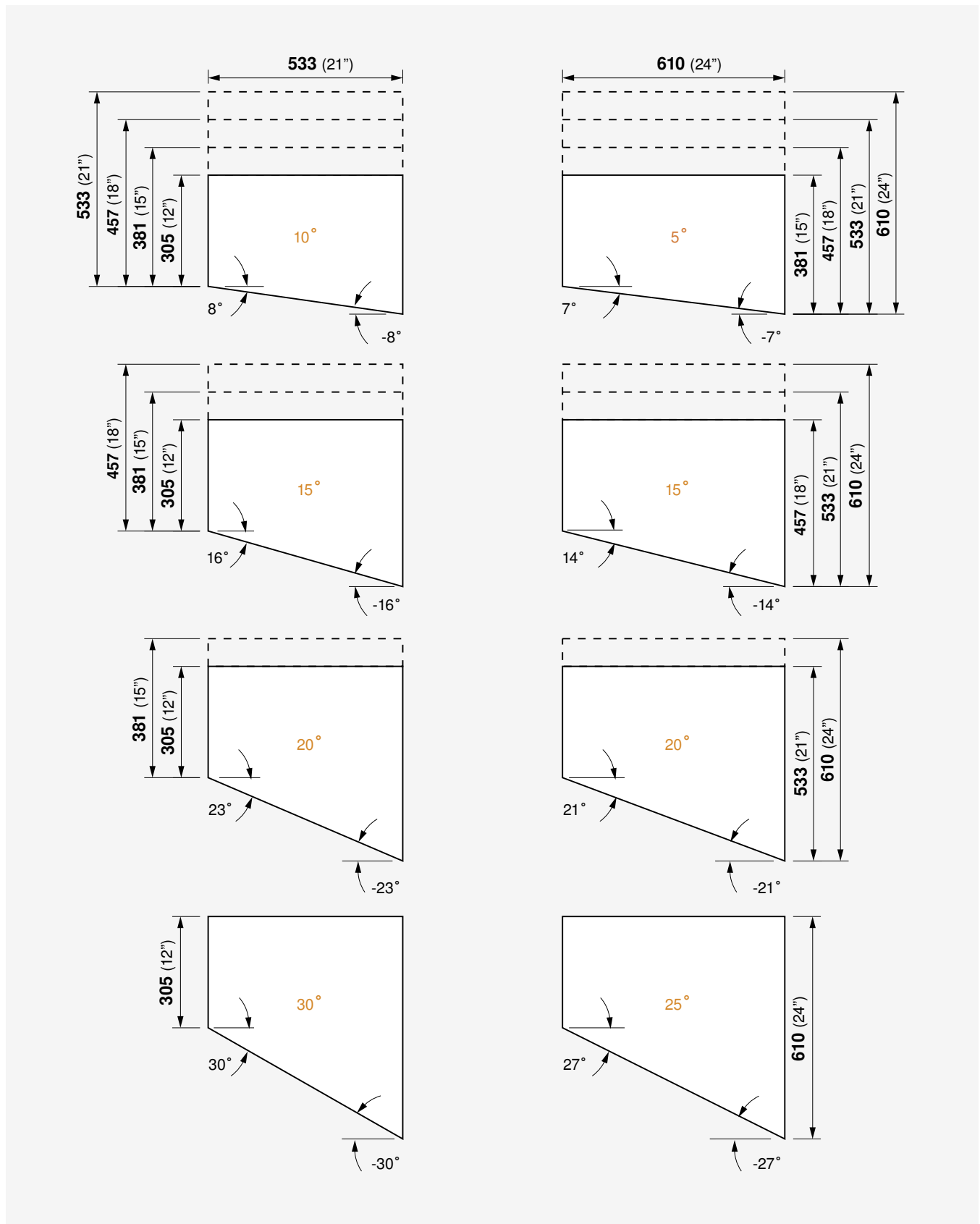
Version: 12-2004

Match desired configuration to "Angle-to-style cross-reference" chart on page 3A26

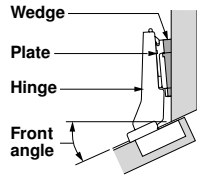


Version: 12-2004

Match desired configuration to "Angle-to-style cross-reference" chart on page 3A26



Version: 12-2004



Code number		
Hinge	Clip top hinge	Part number
Plate	Clip mounting plate	Part number
Wedge	May or may not be required	Part number

**Positive angles**
**Negative angles**


Maximum overlay

Partial overlay

Corner merge

Inset door

Mitered corner

Maximum overlay

Inset door

5°	<b>1</b>	<b>10</b>	<b>19</b>	<b>27</b>		-5°	<b>42</b>	<b>51</b>
	71T955180	71T955180	71T965180	71T979180			71T955180	71T965180
	173H710180	173H710180	173H710180	173H710180			173H710180	173H710180
	171A5010180	171A5010180	171A5070180	171A5010180			171A5500180	171A5500180
10°	<b>2</b>	<b>11</b>	<b>20</b>	<b>28</b>		-10°	<b>43</b>	<b>52</b>
	79A9494180	79A9494180	79A9494180	79A9494180			79A5493180	79A5493180
	173H710180	173H710180	175H919022180	175H919022180			173H710180	175H719180
	171A5500180	171A5500180	171A5500180	171A5500180			171A5010180	171A5070180
15°	<b>3</b>	<b>12</b>	<b>21</b>	<b>29</b>	<b>36</b>	-15°	<b>44</b>	<b>53</b>
	79A9494180	79A9494180	79A9595180	79A9595180	79A9595180		79A5493180	79A5493180
	175H916180	175H919180	173H713180	175H919180	173H710180		173H710180	175H919022180
	—	—	171A5500180	171A5500180	171A5500180	—	—	
20°	<b>4</b>	<b>13</b>	<b>22</b>	<b>30</b>	<b>37</b>	-20°	<b>45</b>	<b>54</b>
	79A9494180	79A9595180	79A9595180	79A9595180	79A9595180		79A5493180	79A5493180
	173H710180	173H710180	175H919180	175H919022180	175H916180		173H710180	175H719180
	171A5070180	—	—	—	—	171A5500180	171A5500180	
25°	<b>5</b>	<b>14</b>	<b>23</b>	<b>31</b>	<b>38</b>	-25°	<b>46</b>	<b>55</b>
	79A9496180	79A9595180	79A9596180	79A9596180	79A9596180		79A5491180	79A5491180
	173H710180	173H710180	173H710180	175H919022180	173H710180		173H710180	175H719180
	171A5500180	171A5010180	171A5500180	—	171A5500180	171A5040180	171A5070180	
30°	<b>6</b>	<b>15</b>	<b>24</b>	<b>32</b>	<b>39</b>	-30°	<b>47</b>	
	79A9496180	79A9596180	79A9596180	79A9596180	79A9596180		79A5491180	
	175H916180	173H710180	175H919180	175H919022180	173H713180		173H713180	
	—	—	—	—	—	—		
35°	<b>7</b>	<b>16</b>	<b>25</b>	<b>33</b>	<b>40</b>	-35°	<b>48</b>	
	79A9496180	79A9596180	79A9596180	79A9596180	79A9596180		79A5491180	
	173H710180	173H710180	173H710180	175H919022180	173H710180		173H710180	
	171A5070180	171A5010180	171A5070180	171A5010180	171A5040180	171A5500180		
40°	<b>8</b>	<b>17</b>		<b>34</b>		-40°	<b>49</b>	
	79A9498180	79A9498180		79A965180			71T955180	
	173H710180	175H916180		175H919180			173H710180	
	171A5500180	171A5500180		171A5500180		171A5040180		
45°	<b>9</b>	<b>18</b>	<b>26</b>	<b>35</b>	<b>41</b>	-45°	<b>50</b>	
	79A9498180	79T559180	79A965180	79T559180	79A965180		79A5490180	
	175H916180	173H710180	173H710180	175H919022180	173H710180		173H713180	
	—	—	—	—	—	—		