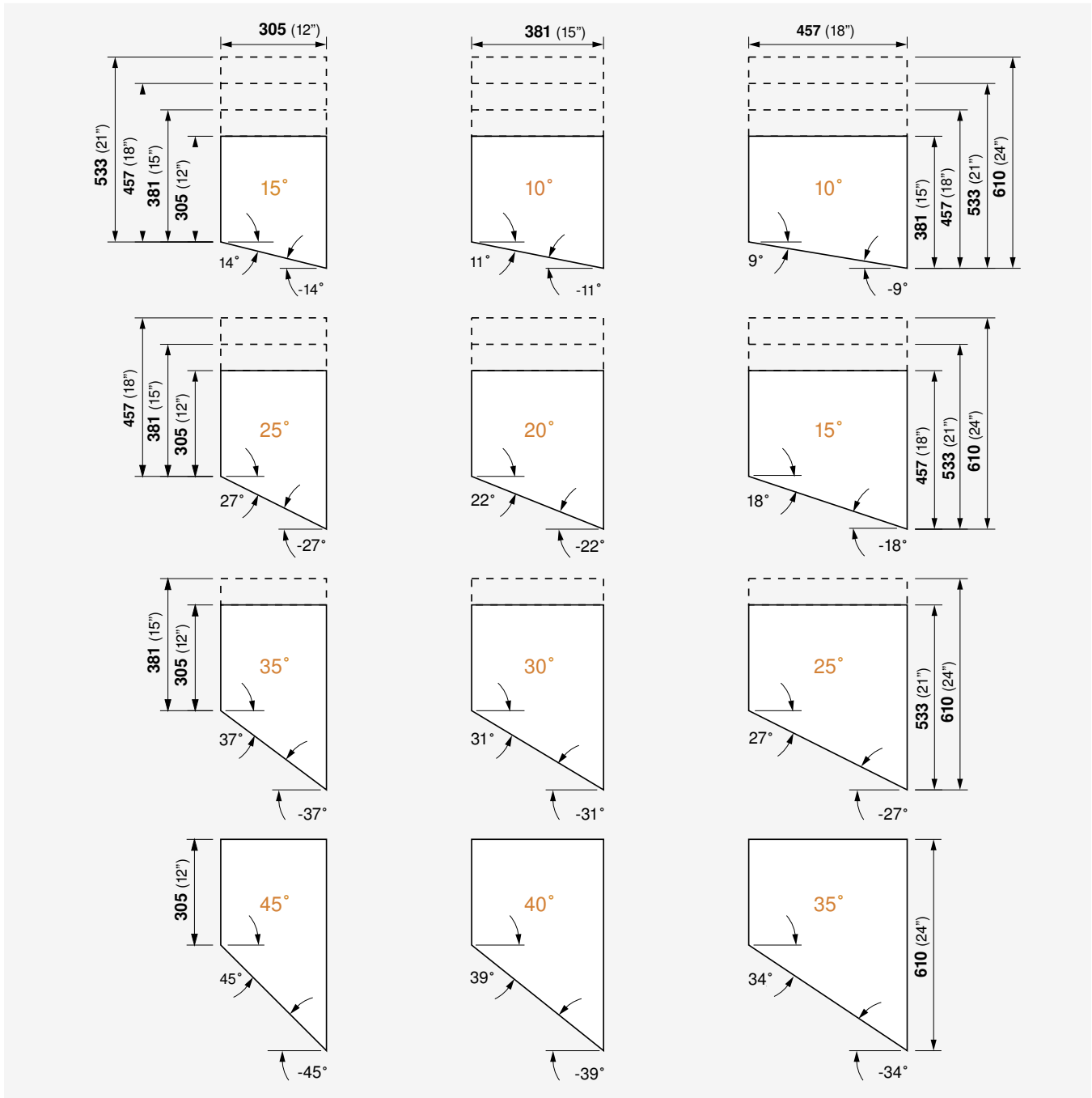
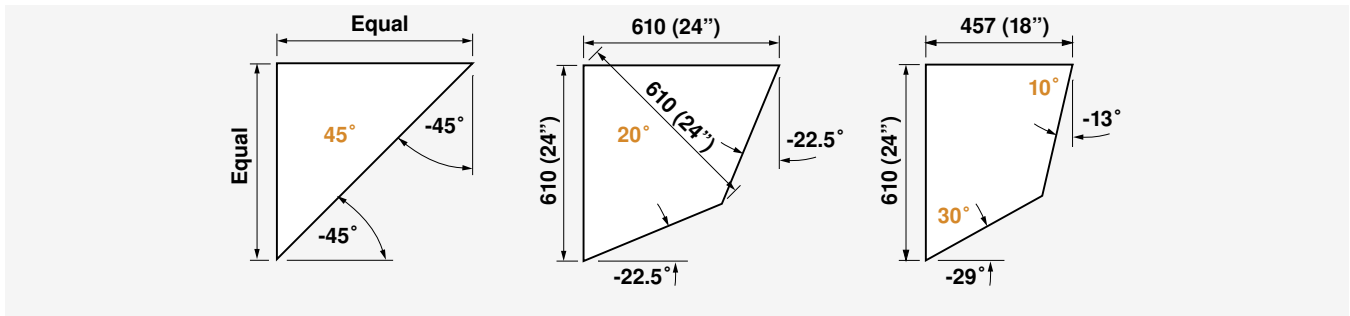


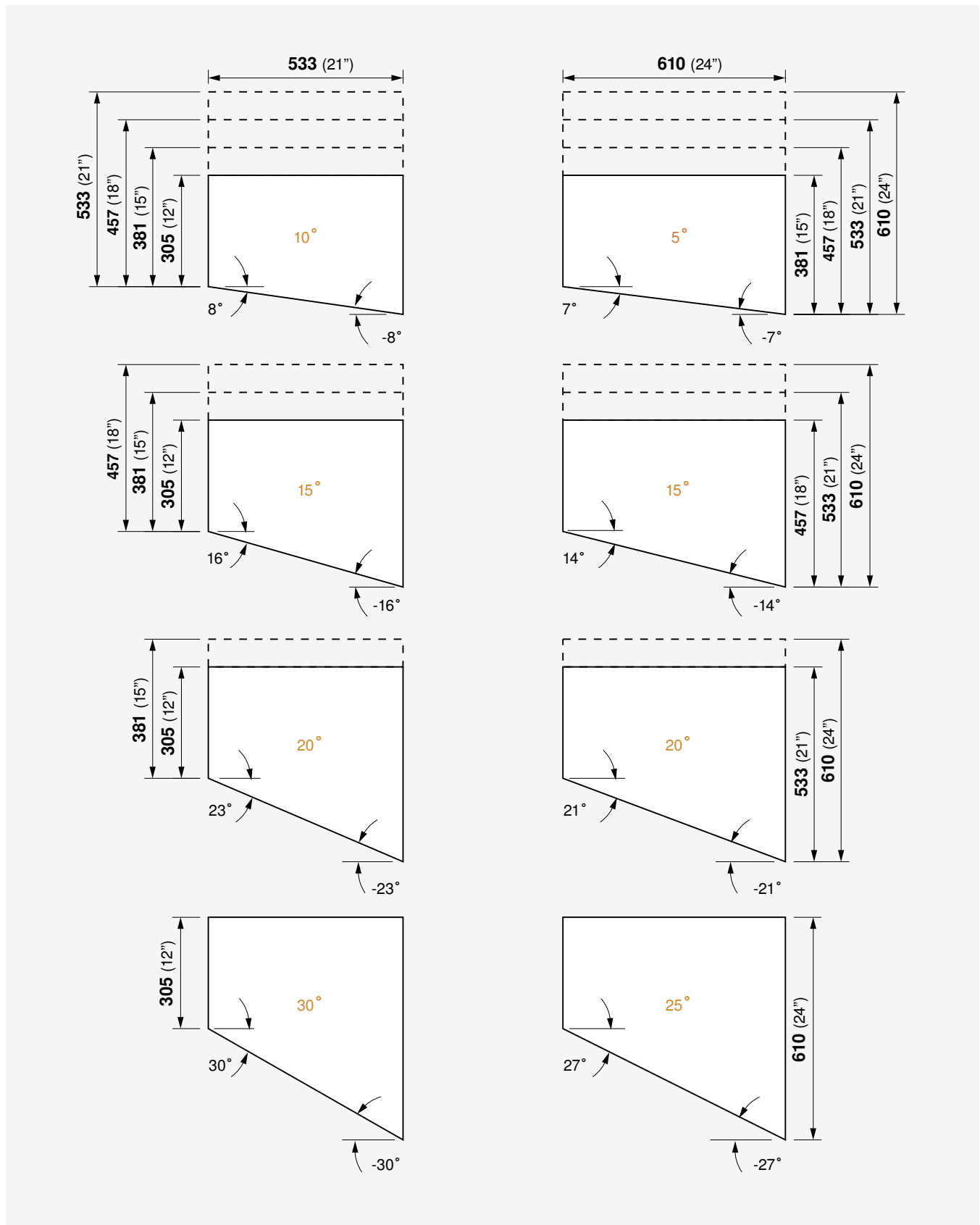
Version: 12-2004

Match desired configuration to "Angle-to-style cross-reference" chart on page 3A26

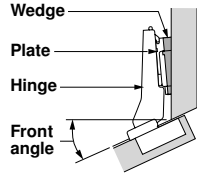


Version: 12-2004

Match desired configuration to "Angle-to-style cross-reference" chart on page 3A26



Version: 12-2004



Code number		
Hinge	Clip top hinge	Part number
Plate	Clip mounting plate	Part number
Wedge	May or may not be required	Part number

**Positive angles**

**Negative angles**



Maximum overlay

Partial overlay

Corner merge

Inset door

Mitered corner

Maximum overlay

Inset door

Angle	Positive angles					Negative angles	
	1	10	19	27		42	51
5°	71T955180	71T955180	71T965180	71T979180		71T955180	71T965180
	173H710180	173H710180	173H710180	173H710180		173H710180	173H710180
	171A5010180	171A5010180	171A5070180	171A5010180		171A5500180	171A5500180
10°	79A9494180	79A9494180	79A9494180	79A9494180		79A5493180	79A5493180
	173H710180	173H710180	175H919022180	175H919022180		173H710180	175H719180
	171A5500180	171A5500180	171A5500180	171A5500180		171A5010180	171A5070180
15°	79A9494180	79A9494180	79A9595180	79A9595180	79A9595180	79A5493180	79A5493180
	175H916180	175H919180	173H713180	175H919180	173H710180	173H710180	175H919022180
	—	—	171A5500180	171A5500180	171A5500180	—	—
20°	79A9494180	79A9595180	79A9595180	79A9595180	79A9595180	79A5493180	79A5493180
	173H710180	173H710180	175H919180	175H919022180	175H916180	173H710180	175H719180
	171A5070180	—	—	—	—	171A5500180	171A5500180
25°	79A9496180	79A9595180	79A9596180	79A9596180	79A9596180	79A5491180	79A5491180
	173H710180	173H710180	173H710180	175H919022180	173H710180	173H710180	175H719180
	171A5500180	171A5010180	171A5500180	—	171A5500180	171A5040180	171A5070180
30°	79A9496180	79A9596180	79A9596180	79A9596180	79A9596180	79A5491180	
	175H916180	173H710180	175H919180	175H919022180	173H713180	173H713180	
	—	—	—	—	—	—	
35°	79A9496180	79A9596180	79A9596180	79A9596180	79A9596180	79A5491180	
	173H710180	173H710180	173H710180	175H919022180	173H710180	173H710180	
	171A5070180	171A5010180	171A5070180	171A5010180	171A5040180	171A5500180	
40°	79A9498180	79A9498180		79A965180		79A5491180	
	173H710180	175H916180		175H919180		173H710180	
	171A5500180	171A5500180		171A5500180		171A5040180	
45°	79A9498180	79T559180	79A965180	79T559180	79A965180	79A5490180	
	175H916180	173H710180	173H710180	175H919022180	173H710180	173H713180	
	—	—	—	—	—	—	