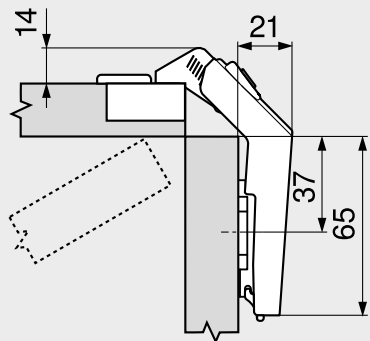


Corner cabinet bi-fold hinge

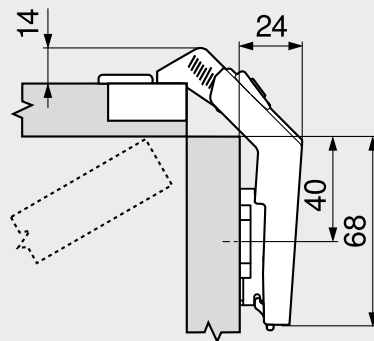
Webcode
 DQDQJY

Planning

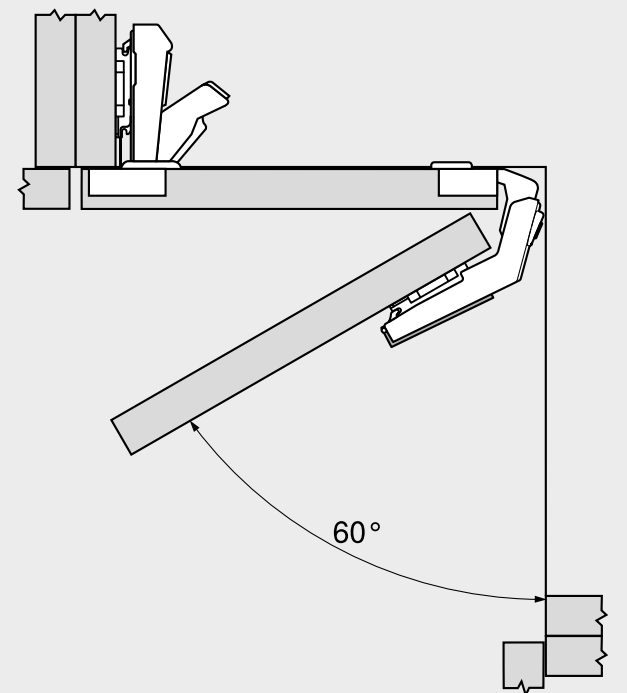
Hinge dimensions and gap calculation based on factory setting



Application type for front thickness FD 19 mm in conjunction with 0 mm spaced standard mounting plate

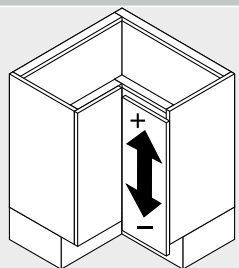


Application type for front thickness FD 19 mm in conjunction with 3 mm spaced standard mounting plate

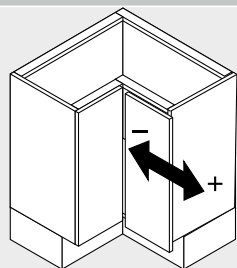


The hinge boss of the bi-fold hinge should be fixed to the same front as the hinge boss of the 170° and 155° hinge

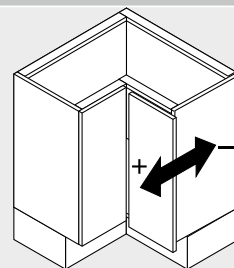
Adjustment



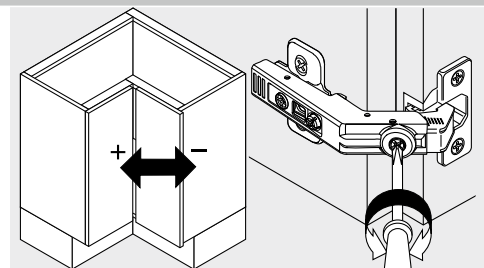
Height adjustment
 Max. ±3.0 mm
 See mounting plates



Side adjustment
 +3.0 mm
 -2.0 mm

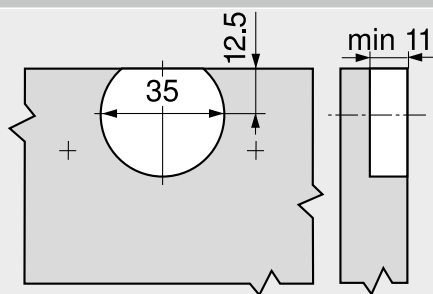


Depth adjustment
 ±2.0 mm

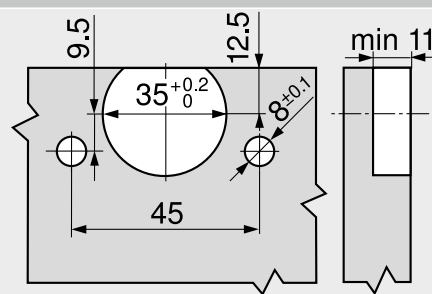


Gap adjustment
 +7.2 mm
 -4.2 mm

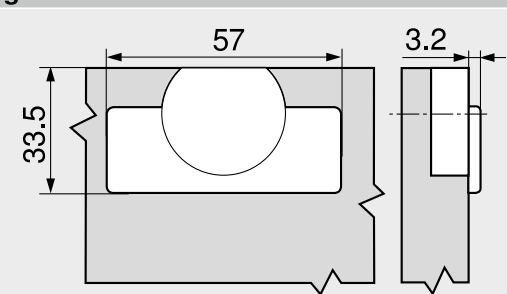
Screw-on



Knock-in



Hinge boss dimensions



Page instructions

Overview – CLIP top BLUMOTION CLIP top – hinges	75
Mounting plates	156
Accessories – hinge arm cover cap	164
Accessories – general	166
Overview – BLUMOTION for doors	171

Overview – assembly devices	561
More technical details	662

Assembly, removal and adjustment

Short-URL
www.blum.com/a210

