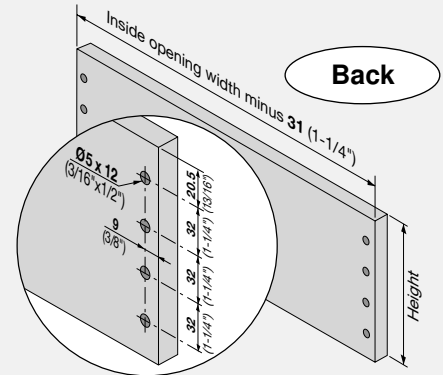
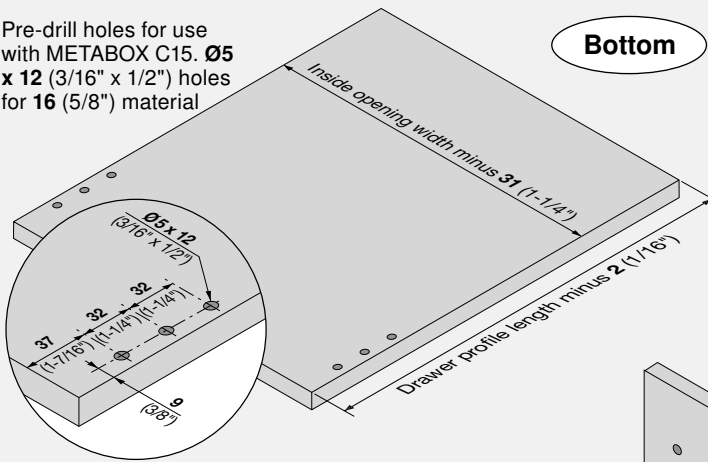


Version: 05-2005

Component specifications

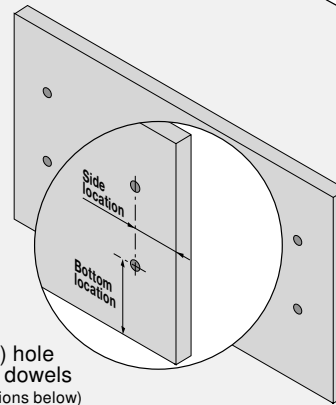
Pre-drill holes for use with METABOX C15. $\varnothing 5 \times 12$ ($3/16" \times 1/2"$) holes for 16 (5/8") material



Pre-drill holes if using system screws

Profile length	Bottom length
550 (21-5/8")	548 (21-9/16")
500 (19-11/16")	498 (19-5/8")
450 (17-11/16")	448 (17-5/8")
400 (15-3/4")	398 (15-11/16")
350 (13-3/4")	348 (13-11/16")

Front



Material thickness	Back height
13 (1/2")	138 (5-7/16")
16 (5/8")	135 (5-5/16")
19 (3/4")	132 (5-3/16")

Drill $\varnothing 10 \times 12$ ($\varnothing 3/8" \times 1/2"$) hole for front fixing brackets with dowels (Determine locations from specifications below)

Installation specifications

