

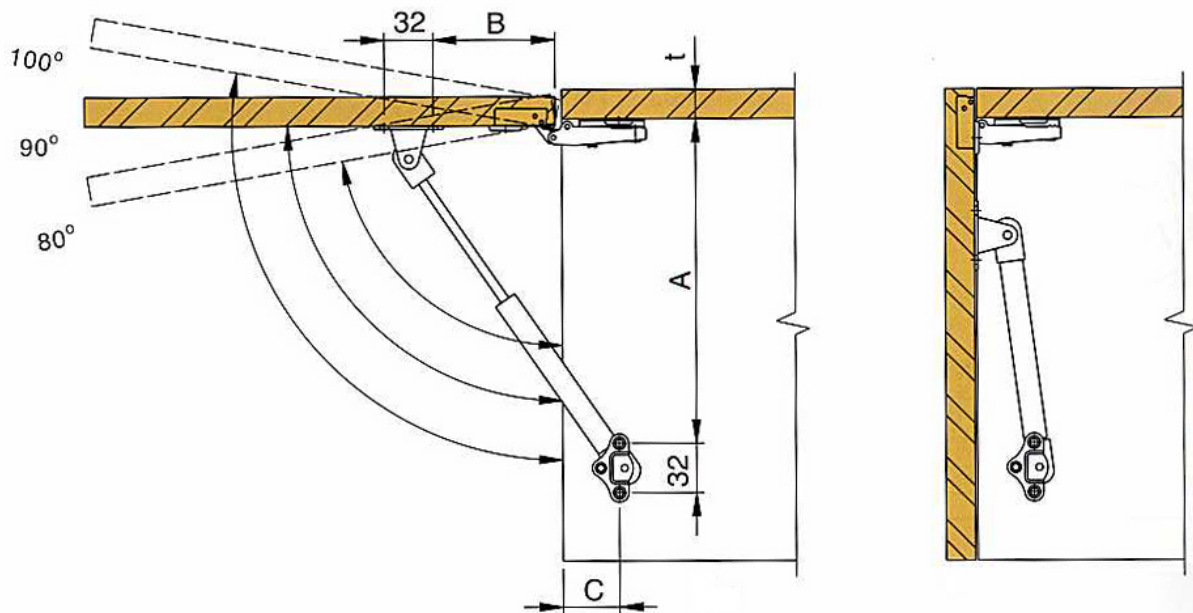
Gas Lift Mechanism

Item No.	Spring Force
#57870-SP1	8 kgs
#57870-SP2	12 kgs

- * Easy and soft lifting from 80° to 100°
- * Firm lifting supported by gas system for different door ranges
- * Each lift includes one pair of mounting brackets, neutral for left or right side mounting
- * Ideal for all types of overhead storage
- * Installed together with 35mm cup concealed hinges (to be ordered separately)



Example for assembly



unit: mm

Opening Angle	A	B	C
80°	238	65+t	37
90°	222	60+t	37
100°	213	52+t	37