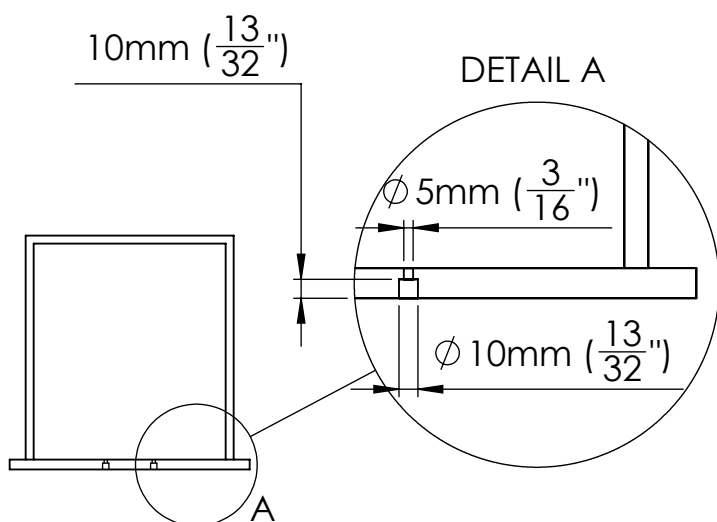
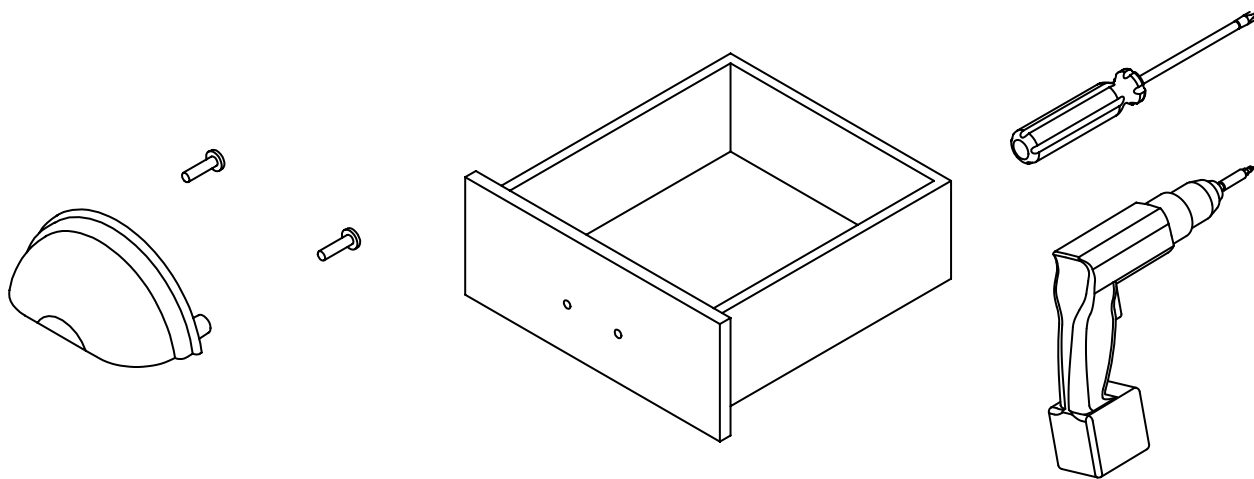
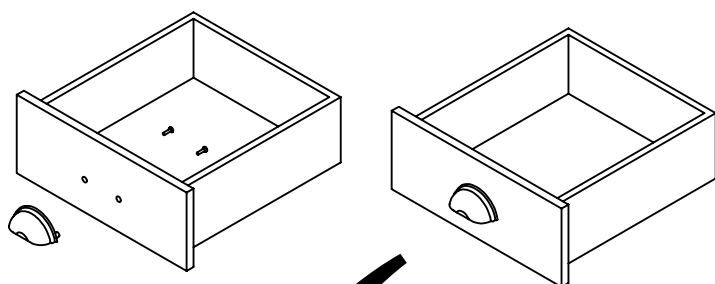


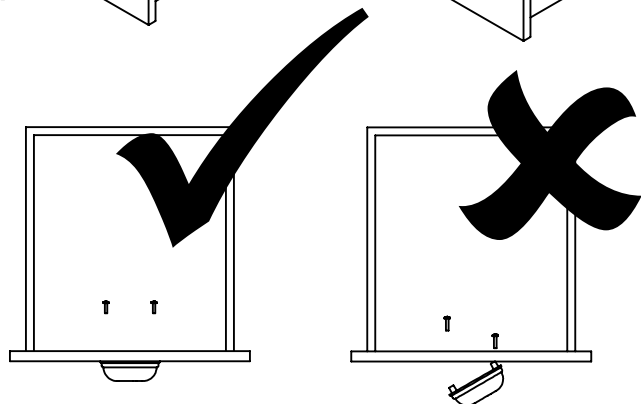
INSTALLATION



- Drill 2x ϕ 5mm holes through the front of the drawer in your chosen position with holes spaced 76.2mm (3in) Centre to Centre
- Enlarge the front part of these 2 holes to ϕ 10mm x 10mm depth



- Hold the pull firmly while simultaneously inserting the 2 posts slowly and evenly into the holes
- Install both screws simultaneously using careful, slow and even pressure to avoid breakage



WARNING

- DO NOT OVER TIGHTEN SCREWS, OR TIGHTEN TOO QUICKLY. GLASS CAN BREAK AS A RESULT
- IF INSTALLATION IS DIFFICULT CHECK SCREW HOLE PLACEMENT AND SIZE