



TAMBOUR DOOR SYSTEMS

C3 INSTALLATION INSTRUCTIONS

C3 Parts Overview

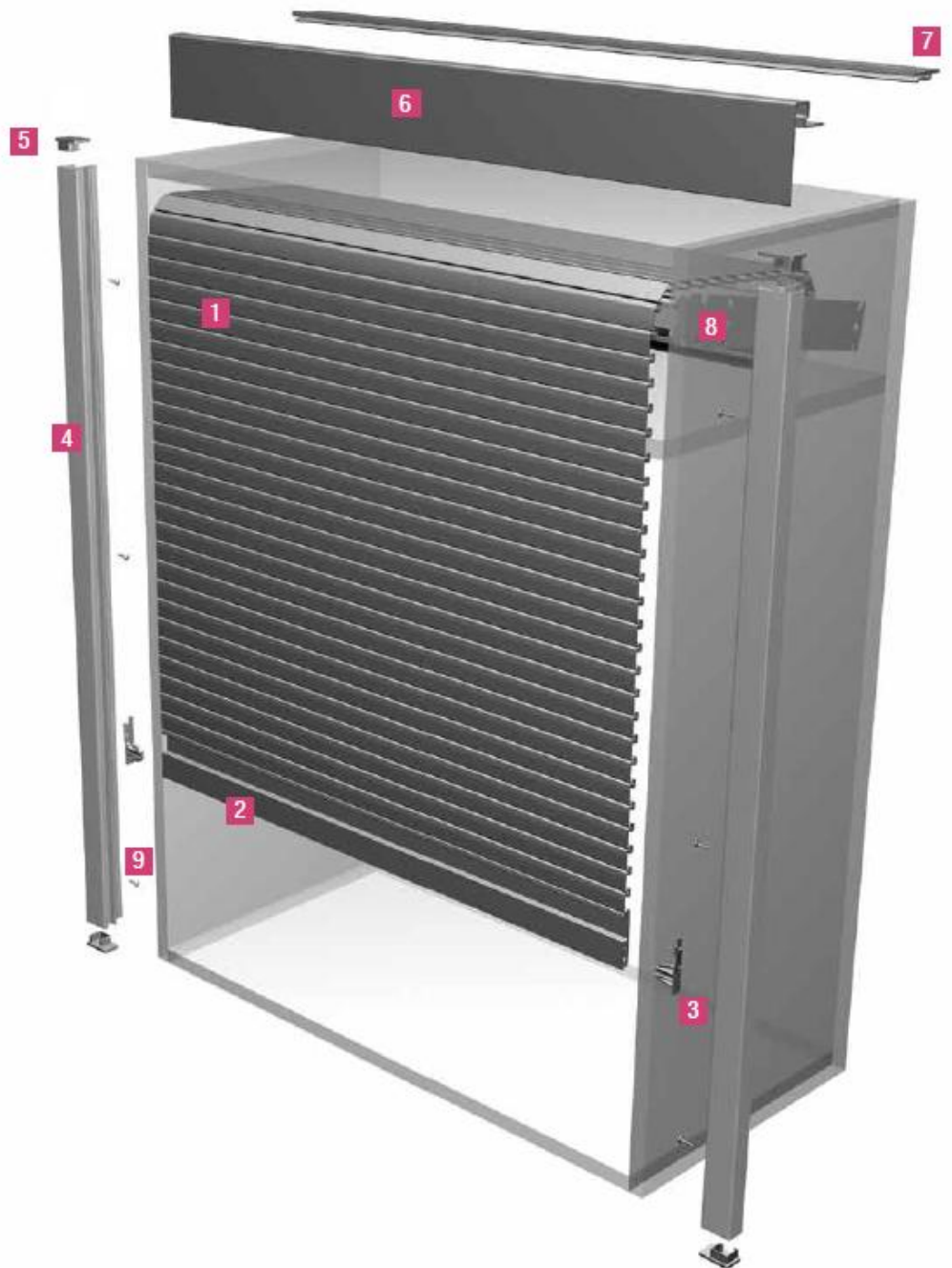
- 1 Slats
- 2 Handle
- 3 Handle gliders
- 4 Track
- 5 End caps
- 6 Cover profile
- 7 Cover profile base
- 8 C3 counterbalance
- 9 Hardware*

Tools Needed

- Power drill and #2 bit
- Tape measure
- Level
- 8 mm drill bit

*Hardware includes:

- #6 x 1/2" Flat head screws
- #6 x 1/2" Pan head screws
- 8 - 18 x 1" Tapping screws
- 5/16 x 1" Wooden dowels

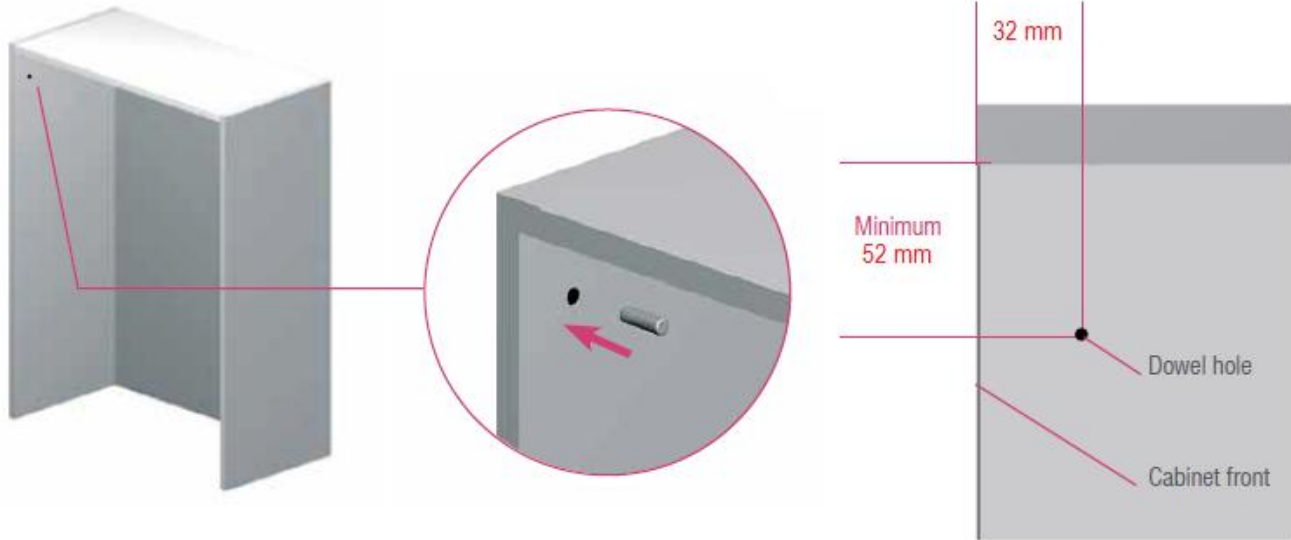


Follow along with this step-by-step installation video

Step 1: Dowel and Screw Placement

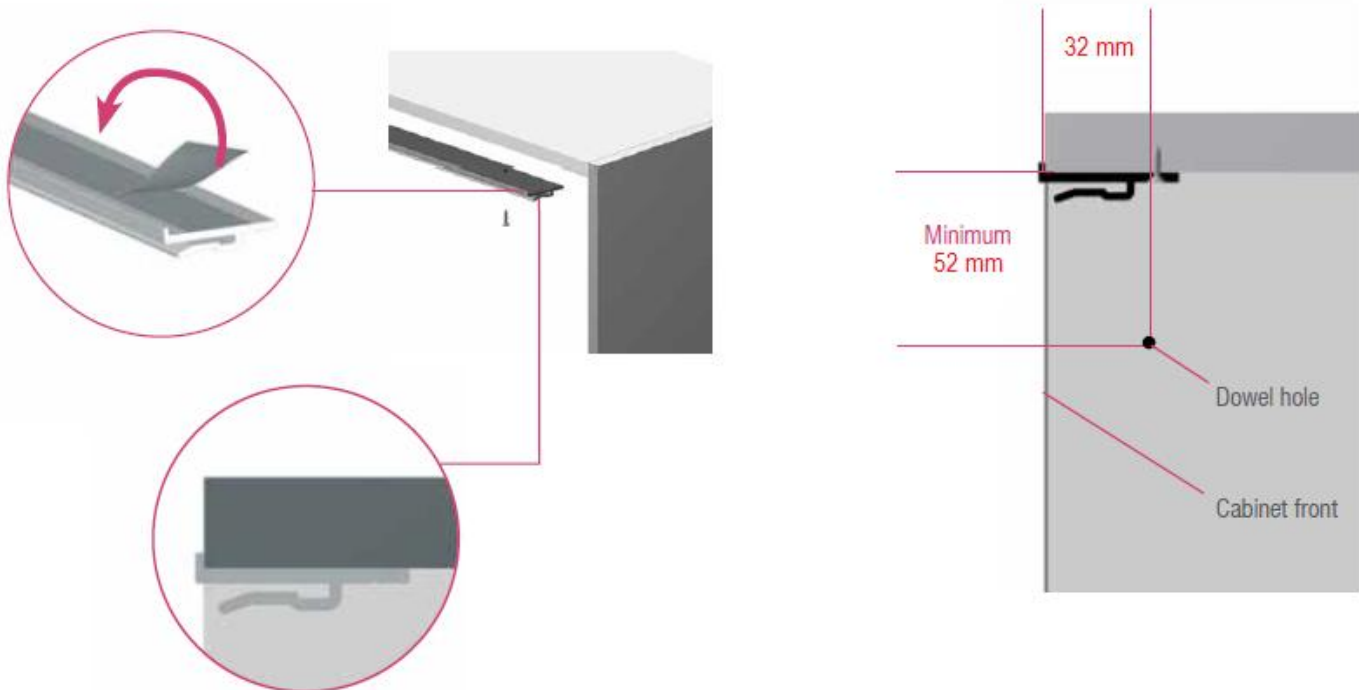
- Mark the dowel and screw placement for the C3 brackets.
- Repeat on both sides.
- Pre-drill an 8 mm diameter hole and insert the wooden dowel.
- Repeat on both sides.

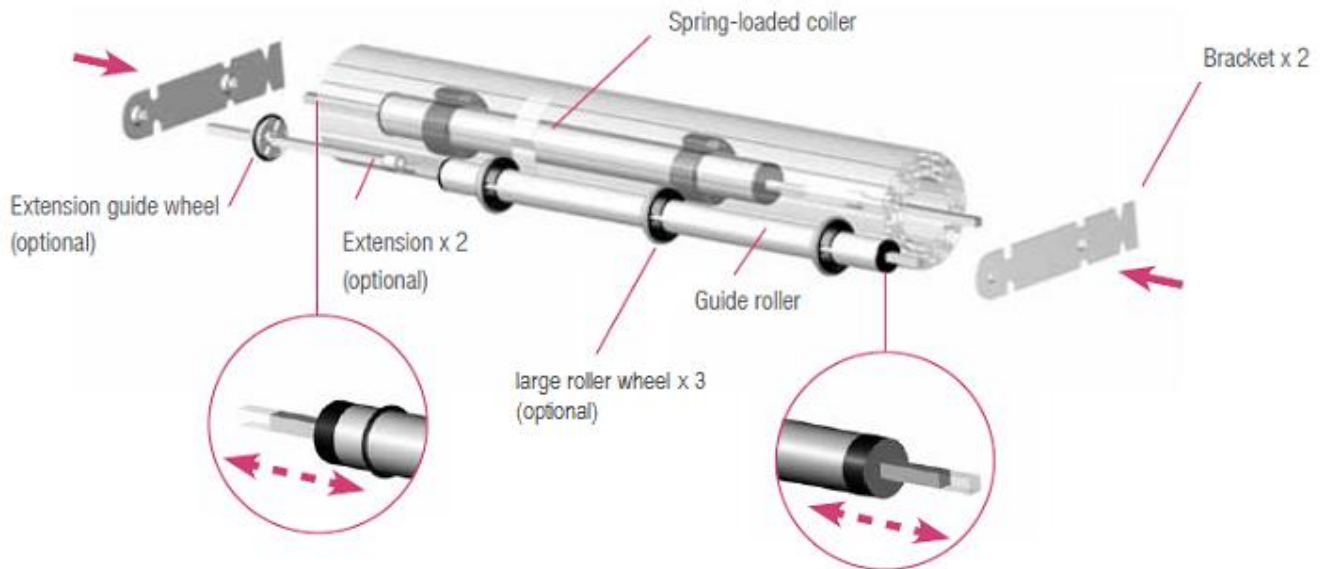
Note: An internal cabinet depth of ≥ 290 mm is required for installation.



Step 2: Cover Profile Mounting Piece Installation

- Remove the adhesive strip from the mounting piece.
- Attach the mounting piece to the inside of the cabinet top making sure it is centered between the side walls.
- Fasten in place with #6 x 1/2" pan head screws while maintaining a gap of about 200 mm between screws.





Step 3: Assemble and Install C3 Mechanism (with carpet)

- Ensure that the tambour carpet is coiled around the spring-loaded roller.
- If attached, remove the handle from the tambour carpet and set aside.
- Hold the free end of the shutter with a strip of adhesive tape approximately 120 mm in length.
- Lay the tambour carpet on the table, adhesive tape facing the front.
- Push the left- and right-hand brackets onto the spring-loaded axle and the guide roller.
- The C3 mechanism and tambour carpet are ready to install.

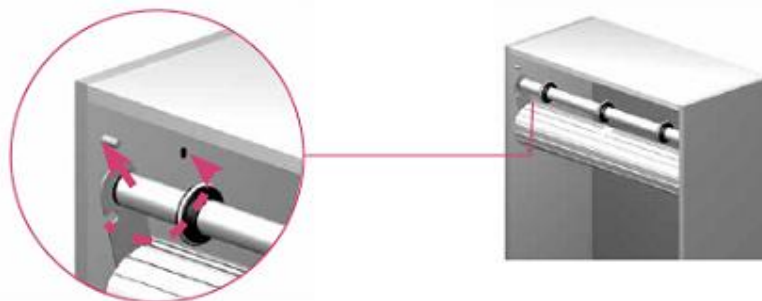
NOTE: Do not remove tape or apply pre-tension at this time.



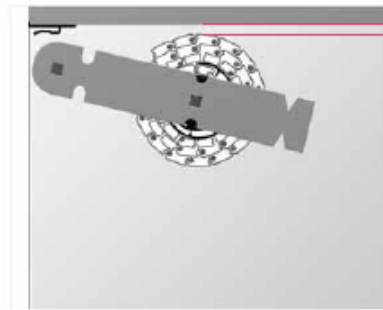
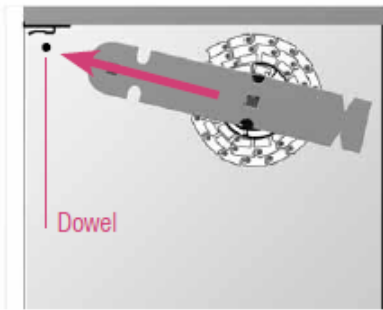
- Compress both brackets as far inward as possible and slide the system into the top of the cabinet.



- Pull the system forward toward the cabinet front and slide the brackets onto the wooden dowels.



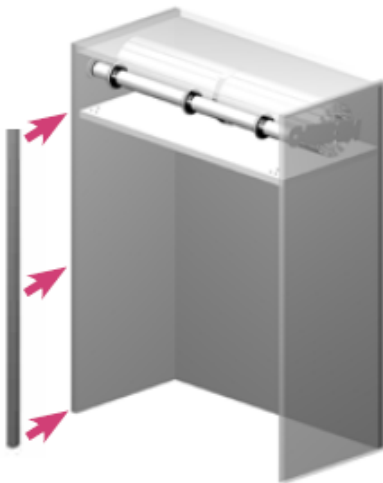
- Swing the rear of the system upward to align with the pre-marked screw placements.
- Ensure that the system is level and maintains a minimum 10 mm gap from the cabinet ceiling.
- Fasten the brackets to the cabinet walls with screws.



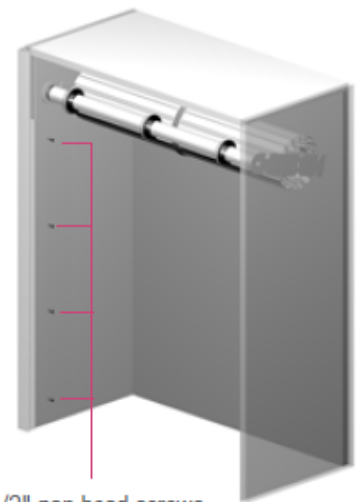
Note: If you are installing a fixed shelf below the system, allow for a minimum clearance of 10 mm between the shelf and the bottom of the coiled tambour carpet.

Step 4: Track and End Cap Installation

- Mount the track to the cabinet wall and fasten with screws. (Recommended distance between screws is 200 mm)
- Repeat on both sides.
- Position the top end caps and fasten with screws.



Note: For ease of installation it is recommended to pre-drill track.



#6 x 1/2" pan head screws

Step 5: Pre-loading C3 Carpet

- Apply necessary pre-tension to the coiled tambour carpet.
Refer to the table for the correct number of revolutions based on cabinet height and width.
- Carpet should be pre-loaded counter clockwise.

Pre-tension Specifications

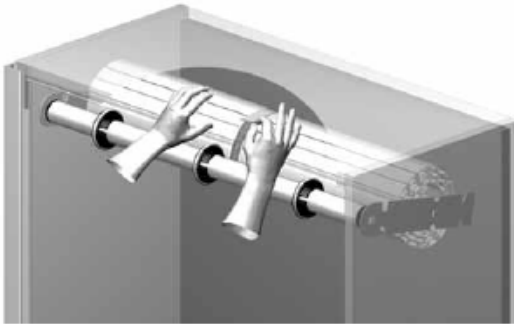
Tolerance \pm one turn*

Width internal (mm)	Height internal (mm)		
	600-1000	1000-1350	1350-1500
350-384	1-2	2	3
385-549	2-3	3-4	4-5
550-584	1-2	2	3
585-749	2-3	3-4	4-5
750-784	2-3	3	5
785-949	2-3	4-5	6-7
950-984	2-3	4	6
985-1149	3-4	4-5	7-8
1150-1184	1-2	3	4

* The following values are given as recommendations only. The optimal setting for pre-tension must be determined by the end user.

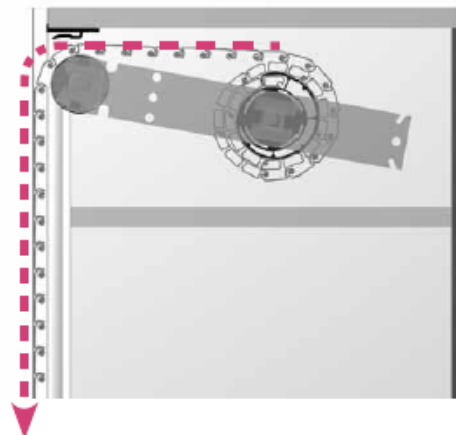
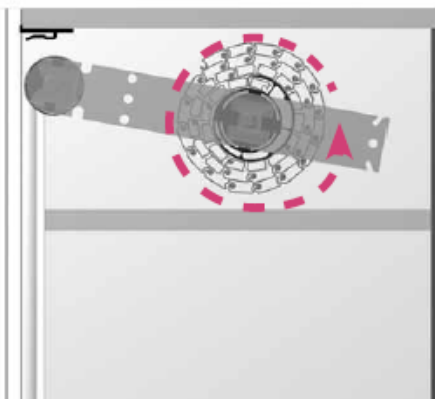
Step 6: Feed Tambour Carpet

- Feed the carpet over the guide roller and down the tracks.



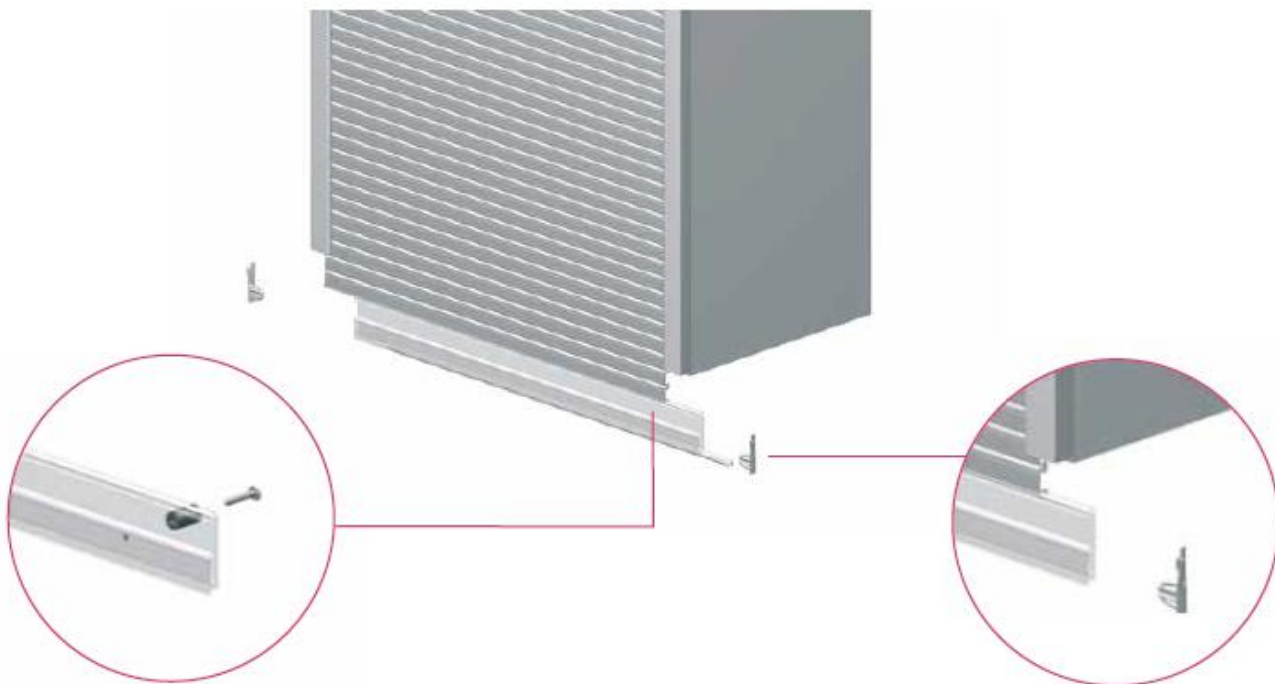
⚠ WARNING!

Coiled carpet can move freely once tape is removed. Avoid risk of injury by holding the carpet until feeding is complete.



Step 7: Combo-Grip, Gliders and Stopper Profiles Installation

- Pull the carpet until it has cleared the bottom of the track.
- Slide on the handle.
- Insert the handle gliders and carefully guide the door back into the tracks.
- Install the stopper profiles on the back of the handle using the provided tapping screws.
- Insert the bottom end caps into the track.



Step 8: Cover Profile Mounting

- To complete door installation, insert the cover profile into the mounting piece clip.

